

# Stifrol™ – New Generation of Roller Guides



Rexnord introduces a new generation of Marbett® Roller Guides for package handling with superior stiffness, low-friction, and low noise capabilities, With patented designs for cost effective installation that simplifies conveyor construction and cost.

Marbett® Stifrol™ Roller Guides convey any package from light-duty containers and shrink-wrapped packages to heavy-duty cardboard packages.

Today's high speed conveying demand require the next generation Marbett® Stifrol™ Roller Guides to deliver superior product handling capabilities, while more and more delicate packages are being conveyed.

## Maximize Stability

The new ultra-stiff Marbett® Stifrol™ Roller Guides work in combination with the conveyor structure to provide superior stability even when under heavy load or with high speed conveying.

## Superior Product Handling

Convey your product with the smooth interaction of the low friction, low noise Marbett® Stifrol™ Roller Guides to significantly improve product handling, while product damage and discards are prevented.

## Simple, Less Costly Conveyor Construction

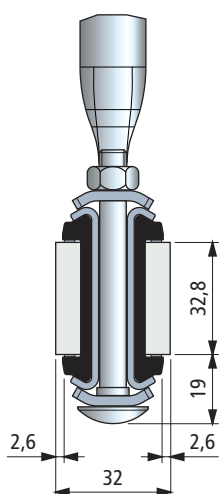
A simple, cost effective installation simplifies conveyor construction and cost by reducing the number of supports needed. With the Marbett® Stifrol™ Roller Guides only half the supports are needed spaced over the conveyor length of 1.5 m or more.

## Increased Productivity

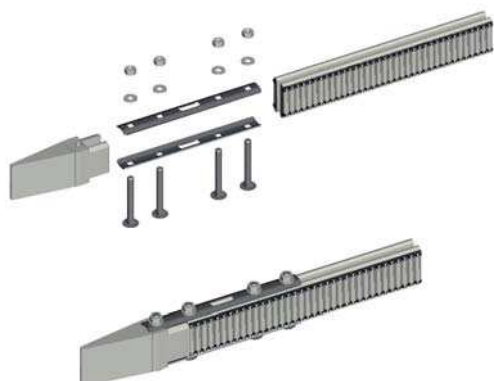
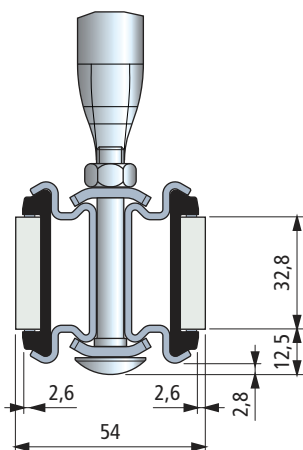
With Marbett® Stifrol™ Roller Guide's patented installation concept, the rapid, easy-to-assemble roller guide conveyor kit maximizes fast, high quality conveyor construction and set up at the lowest costs.



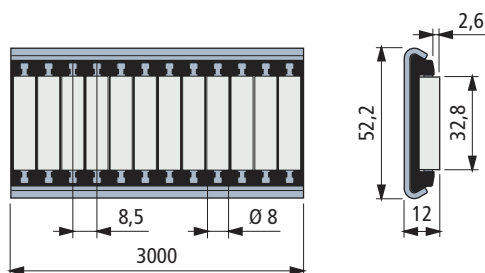
• Compact Center



• Stiff - Center Usage



■ Roller guide Center Compact Version



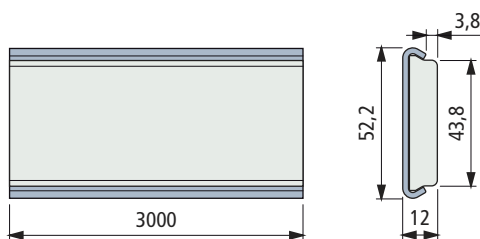
Profile and Pin Material	Code	Weight kg/m
Ferritic Stainless Steel	625483	1,54

- Roller Module Frame Material : POM ( Black ).
- Rollers Material : PE ( White ).
- Standard packaging : 3 meter strands.
- Packaging : 6 meter ( n° 2 strands ).

Part. **S0803**



■ Guiderail Compact Version



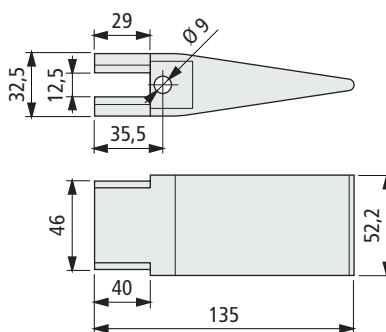
Profile Material	Code	Weight kg/m
Ferritic Stainless Steel	625503	1,20

- Profile Material : HDPE ( White ).
- Standard packaging : 3 meter strands.
- Packaging : 6 meter ( n° 2 strands ).

Part. **S0804**



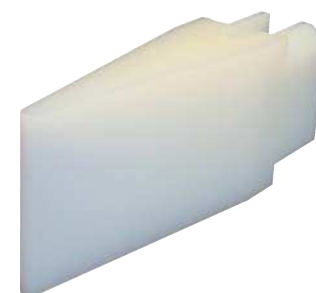
■ Separation block



Code	Weight kg
625853	0,16

- Material : Polyamide PA ( White ).
- Packaging : 2 pieces.

Part. **S0810**



● Best choice

● Standard

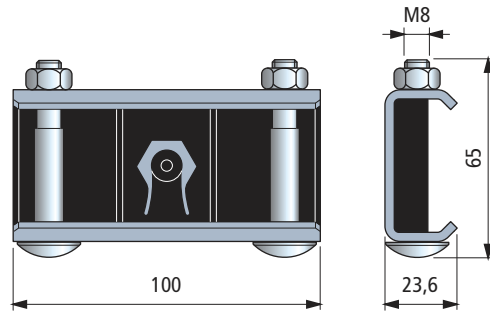
● On request : minimum quantity may apply. Consult our Customer Service for availability.

Item code for order = Part. + Code

Part. **S0794**



■ Side Clamp ( for Stiff version )



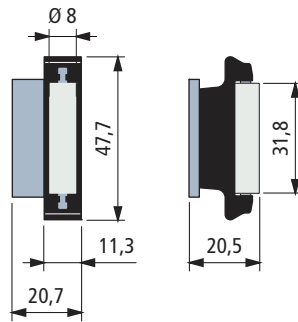
Metal Body	Code	Weight kg/m
Ferritic Stainless Steel	625363	0,28

- Plastic Insert Material : POM ( Black ).
- Hardware : Stainless Steel.
- Packaging : n° 12 pieces.

Part. **S0792**



■ End Closure for Stiff



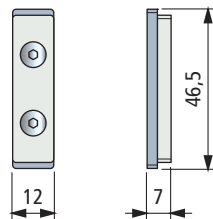
Material	Code	Weight kg/m
Austenitic Stainless Steel	625383	0,03

- Packaging : n° 24 pieces.

Part. **S0808**



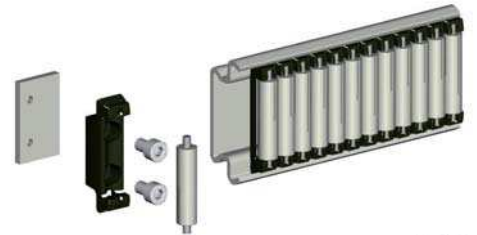
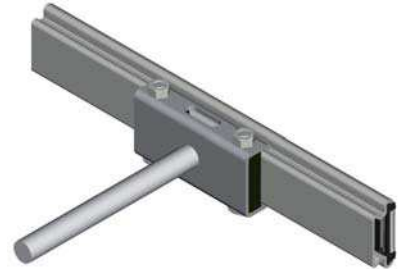
■ End Closure for Compact



Material	Code	Weight kg/m
Austenitic Stainless Steel	625553	0,02

- Packaging : n° 24 pieces.

• Installation - side Usage



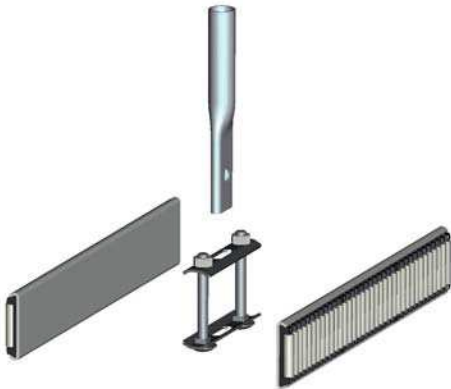
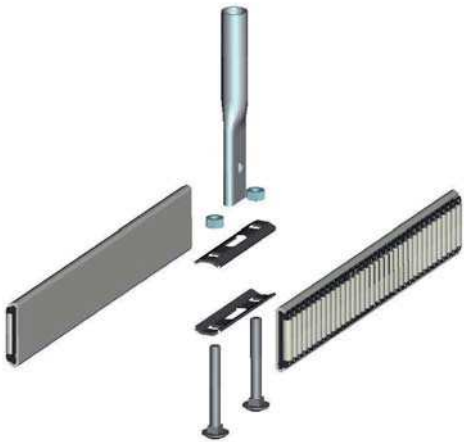
● Best choice

● Standard

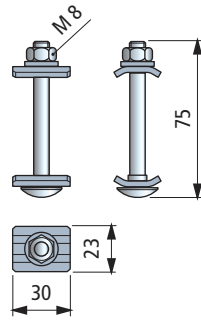
● On request : minimum quantity may apply. Consult our Customer Service for availability.

Item code for order = Part. + Code

• Installation



■ Center Clamp



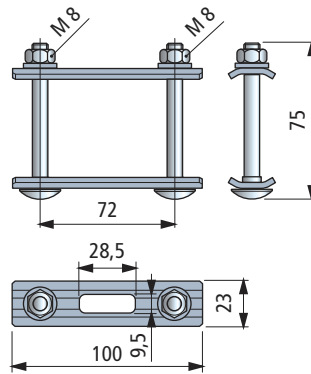
Material	Code	Weight kg/m
Ferritic Stainless Steel	636903	0,05

- Hardware : Stainless Steel.
- Packaging : n° 24 pieces.

Part. **S0836**



■ Center Clamp



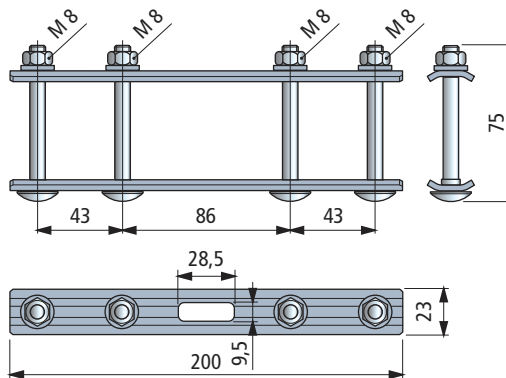
Material	Code	Weight kg/m
Ferritic Stainless Steel	625533	0,15

- Hardware : Stainless Steel.
- Packaging : n° 12 pieces.

Part. **S0807**



■ Junction ( for Compact Version )



Material	Code	Weight kg/m
Ferritic Stainless Steel	626183	0,30

- Hardware : Stainless Steel.
- Packaging : n° 12 pieces.

Part. **S0811**



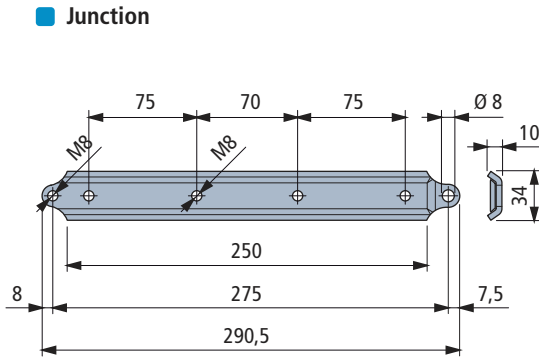
● **Best choice**

● **Standard**

● **On request** : minimum quantity may apply. Consult our Customer Service for availability.

Item code for order = Part. + Code

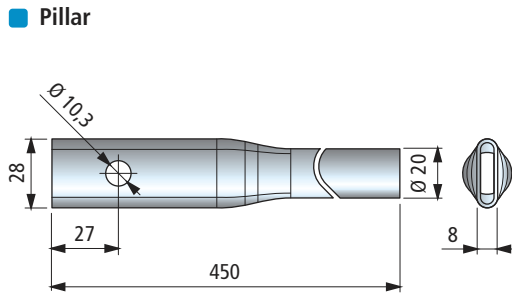
Part. **S0793**



Material	Code	Weight kg/m
Ferritic Stainless Steel	625393	0,32

- Hardware : Stainless Steel.
- Packaging : n° 12 pieces.

Part. **S0795**



Material	Code	Weight kg/m
Ferritic Stainless Steel	625413	0,30

- Packaging : n° 12 pieces.

• Installation - side Usage



● Best choice

● Standard

● On request : minimum quantity may apply. Consult our Customer Service for availability.

Item code for order = Part. + Code

## FEATURES & BENEFITS

- Ideal for dry end – package handling applications
- Superior performances at high speeds with heavy packages
- Side and Center Usage by the same parts = standardization
- Stiff Version for maximum performances
- Compact version for machine space reduction
- Superior Product Handling by gentle product contact
- Roller reduced diameter and pitch = low noise
- Superior Stiffness
- Guide and Pillars work as a unique part
- Halves the amount of supports needed
- Maintains stable shape and full product support for enhanced product handling
- Easy and Quick installation
- Pre-assembly feature enables a secure and precise installation
- Complete set of accessories for installation and set up
- Low Noise
- Safe product designed according to the European safety regulations, avoiding holes and traps

La riproduzione anche parziale del presente catalogo è vietata a termine di legge. Sempre alla continua ricerca per migliorare il prodotto ed applicare le tecnologie più avanzate, la Rexnord Marbett si riserva il diritto di apportare modifiche ai dati e alle caratteristiche illustrate nel catalogo.

I carichi indicati nelle tabelle, rappresentano i carichi massimi che si possono applicare in condizioni statiche. Tali valori sono ottenuti come risultato di prove ed esperienze di laboratorio fatte sui nostri materiali, stampati ad iniezione e condizionati (40h - 23C - 50% U.R.).

I valori dei carichi dovranno essere adeguatamente ridotti in presenza di : vibrazioni con frequenze elevate, carichi dinamici, elevate temperature ed ambienti ad elevato tasso di umidità. Per reciproca garanzia si consiglia di rivolgersi ai nostri uffici tecnici o commerciali al fine di valutare le caratteristiche in funzione degli impieghi.

**AUSTRALIA**

Rexnord Australia Pty. Ltd.  
Picton, New South Wales  
Phone: 61-2-4677-3811  
Fax: 61-2-4677-3812

**BRAZIL**

Rexnord Correntes Ltda.  
Sao Leopoldo - RS  
Phone: 55-51-579-8022  
Fax: 55-51-579-8029

**CANADA**

Rexnord Canada Ltd.  
Scarborough, Ontario  
Phone: 1-416-297-6868  
Fax: 1-416-297-6873

**CHINA**

Rexnord China  
Shanghai  
Phone: 86-21-62701942  
Fax: 86-21-62701943

**FLATTOP EUROPE**

Rexnord FlatTop Europe b.v.  
's-Gravenzande, The Netherlands  
Phone: 31-174-445-111  
Fax: 31-174-445-222

Rexnord Marbett S.r.L.  
Correggio (RE), Italy  
Phone: 39-0522-639333  
Fax: 39-0522-637778

Rexnord FlatTop France  
Bureau Commercial  
Phone: 0805 540 444  
Fax: 0805 540 555  
E-mail: [rexnord.marbett@rexnord.com](mailto:rexnord.marbett@rexnord.com)

**UNITED STATES**

Customer Service  
Phone: 1-866-REXNORD  
(1-866-739-6673)  
Fax: 1-614-675-1898  
E-mail: [rexnordcs\(state\)@rexnord.com](mailto:rexnordcs(state)@rexnord.com)  
Example: [rexnordcsohio@rexnord.com](mailto:rexnordcsohio@rexnord.com)

Rexnord FlatTop North America  
Grafton, Wisconsin  
Phone: 1-262-376-4700  
Fax: 1-262-376-4720

Rexnord International - Power Transmisson  
Milwaukee, Wisconsin  
Phone: 1-414-643-2366  
Fax: 1-414-643-3222  
E-mail: [international2@rexnord.com](mailto:international2@rexnord.com)

**ALL COUNTRIES NOT LISTED**

Rexnord FlatTop Europe b.v.  
's-Gravenzande, The Netherlands  
Phone: 31-174-445-111  
Fax: 31-174-445-222

After Hours/Emergency  
Phone: 31-174-445-112



[www.rexnordflattop.com](http://www.rexnordflattop.com)  
[flattopeurope@rexnord.com](mailto:flattopeurope@rexnord.com)