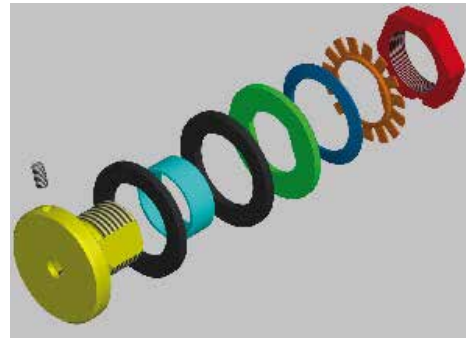
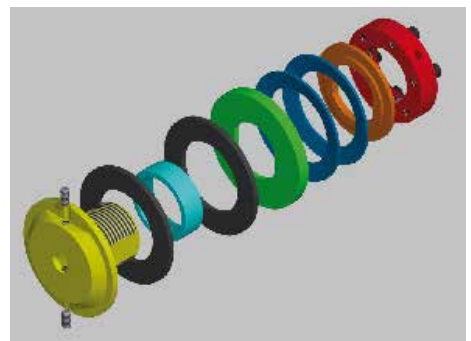


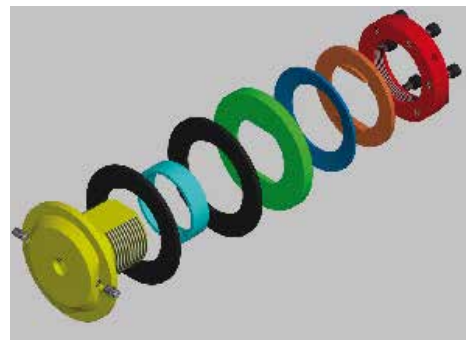
LC 40 - 1



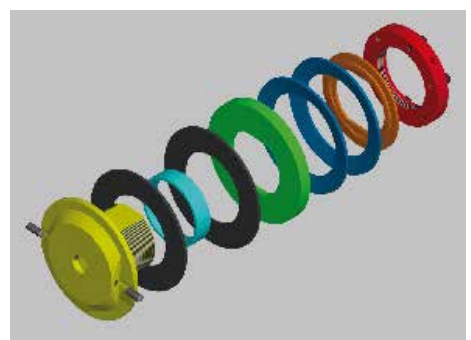
LC 85 - 2



LC 95 - 1



LC 170 - 2

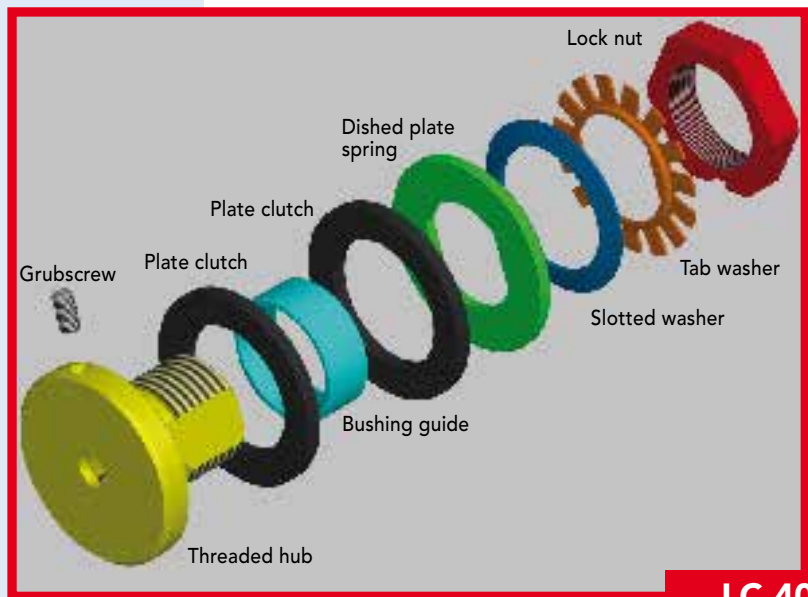
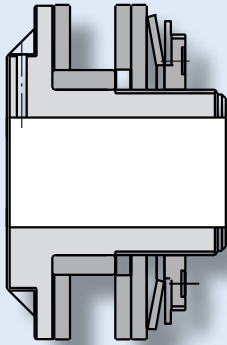




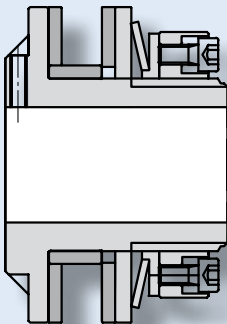
The torque limiter finds employment where an overloaded protection on mechanic transmission components is necessary (kinematics and machines).

The employment system easy and efficient, offers full operative reliability when the required torque exceeds the preloaded value and automatically restores the transmission when the overloaded ceases.

The transmission mechanical component, between pulleys, chain wheels and gears is within clutch that elements that tighten through the compression of the Bauer springs develops a friction force defined by the clamping of the sleeve.



**LC 40-50**



**LC 65-85-95-120-140-170**



## CHOICE OF THE TORQUE LIMITER:

$T_{kw}$  = Power in kW

$n$  = revolutions per minut

$M_t$  = torque (Nm)

The torque is given by the relation:

$$M_t = \frac{9550 \cdot T_{kw}}{n}$$

Example:

To use an electrical motor with the following features:

Power 4 kW e  $n = 1.550$  g/1'

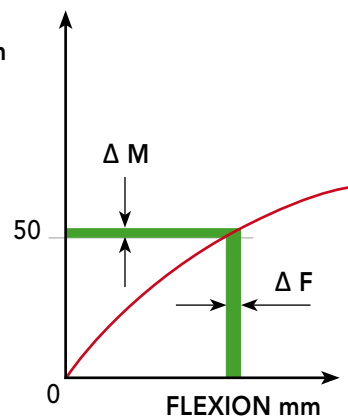
$$M_t = \frac{9550 \cdot 4}{1550} = 24.64 \text{ Nm}$$

So we will choose a limiter with a torque equal to or higher than 24,64 Nm



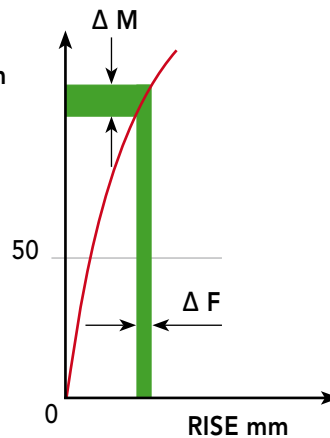
1 spring

TORQUE  
100% Nm



2 springs

TORQUE  
100% Nm



Scheme of the Belleville springs DIN 2093

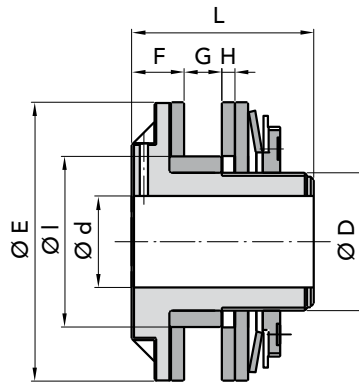


## DIMENSIONS AND SETTINGS

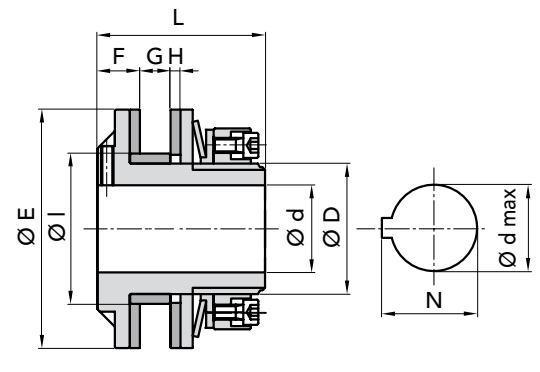
EXAMPLE:

**LC 85-1** with 1 spring

**LC 85-2** with 2 springs



**LC 40-50**



**LC 65-85-95-120-140-170**

TYPE	Limiter part number	Dished plate spring part number	Disk Friction part number	Part number bushing	ØE	ØIh8	Ød	F	G	H	ØD	L	max. bore keyway DIN 6885/1 on request		Max torque N/m	N° of springs	sprockets for chain (u) = 1,6 : 2		Weight Kg.
													Ød max	N			Ø pitch for roller	N° teeth	
LC 40-1	8040001	8040050	8040020	8040030	40	26	7	9	6	3	22	30	14	16,3	15	1	3/8" x 6,65	18-21	0,190
LC 40-2	8040002																1/2" x 8,51	15	0,195
LC 50-1	8050001	8050050	8050020	8050030	50	35	7	10	6	3	32	35,5	20	22,8	30	1	3/8" x 6,65	19-23	0,365
LC 50-2	8050002																1/2" x 8,51	17	0,370
LC 65-1	8065001	8065050	8065020	8065030	65	45	10	16	9	4	36	53	22	24,8	70	1	3/8" x 6,65	27	0,750
LC 65-2	8065002																1/2" x 8,51	21	0,800
												55			120	2	5/8" x 10,16	19	
LC 85-1	8085001	8085050	8085020	8085030	85	52	15	16	11	4	45	59	25	28,3	130	1	3/8" x 6,65	38	1,470
LC 85-2	8085002																1/2" x 8,51	25	1,480
												61			240	2	5/8" x 10,16	21	
																	3/4" x 12,07	18	
LC 95-1	8095001	8095050	8095020	8095030	95	60	15	17	11	4	52	67	35	38,3	190	1	1/2" x 8,51	30	2,160
LC 95-2	8095002																5/8" x 10,16	25	2,170
																	3/4" x 12,07	19	
LC 120-1	8120001	8120050	8120020	8120030	120	73	20	19	16	4	64	78	45	48,8	350	1	1/2" x 8,51	38	4,000
LC 120-2	8120002																5/8" x 10,16	32	4,100
																	3/4" x 12,07	25	
																	1" x 15,88	21	
LC 140-1	8140001	8140050	8140020	8140030	140	90	20	22	17	4	85	86,5	60	64,4	650	1	3/4" x 12,07	35	5,900
LC 140-2	8140002																1" x 15,88	21	6,000
LC 170-1	8170001	8170050	8170020	8170030	170	100	28	25,5	18,5	4,5	90	94	65	69,4	1000	1	3/4" x 12,07	35	9,200
LC 170-2	8170002																1" x 15,88	25	9,400
																	1"1/4 x 19,05	22	

**Pay attention.** You are strongly advised to use the torque limiters of the series LC Cleaning, checking carefully that products or oily liquids in general do not reach in any way the friction materials in order to not cause a sudden and inevitable performance degradation. Adjust the guide bush according to their needs. The clutch plates are constituted by a structure that is absolutely free of asbestos.



CAD drawings available on our site  
[www.chiaravalli.com](http://www.chiaravalli.com)

Quantity, availability and prices  
 on B2B Chiaravalli