



MEGAPOWER

PU timing belts



MEGADYNE

MEGAPOWER

PU timing belts





MEGADYNE S.p.A.

Introduction to Megapower belts	4
Megapower belt system specifications	5
Classifications	6
Power transmission calculation procedure	8
Calculation parameters	10
Belt calculation example	11
Belt installation	12
Causes of belt failure	13
Belt data	
MXL	14
XL	15
L	16
H	17
<hr/>	
T2,5 - T2,5DL	18
T5 - T5DL	19
T10 - T10DL	20
<hr/>	
AT5	21
AT10	22
<hr/>	
Megapower feasibility table	23
Coatings and cover properties	24
Special executions	25
Special executions photos	26
Pulleys and timing bars	28
Useful formulas and conversion table	30

INTRODUCTION TO MEGAPOWER BELTS

MEGADYNE began manufacturing transmission belts in 1957 and moulding MEGAPOWER belts in 1975. MEGAPOWER timing belts are manufactured in thermoset polyurethane by a unique moulding process. The thermoset polyurethane gives superior wear and abrasion resistance. Several type of cords, helicoidally rolled up inside the belts, assure excellent dimensional stability and offer high performances in terms of flexibility and traction resistance. MEGAPOWER belts are particularly suitable for power transmission applications.



MEGAPOWER USE ADVANTAGES

MEGAPOWER timing belt drives represent a modern and efficient system of power transmission. They combine the advantages and properties of geared drives with those of Vee and Flat belts whilst eliminating the troubles typical of each of these types of transmission.

MEGAPOWER drives allow:

- synchronous transmission
- constant and high angular speed
- excellent mechanical performance
- dimensional stability
- low noise
- low installation tension
- minimum drive dimensions
- omega drive configuration
- customised belt engineering

MEGAPOWER APPLICATION AREAS

Thanks to their features, Megapower belts can be successfully used in a wide range of applications such as:

- computers tape movement
- office automation equipments
- medical equipment
- packaging machinery
- motor vehicles
- swimming pool cleaning robots
- plotters
- money changers
- optical instruments
- robotic arms
- electric appliances
- shower manual controls
- vacuum systems
- vending machines
- food machinery
- textile machinery
- leisure and do-it-yourself equipments



To satisfy a wide range of loads, speeds and applications, MEGAPOWER belts and pulleys are made in a selection of sizes, capacities and dimensions.

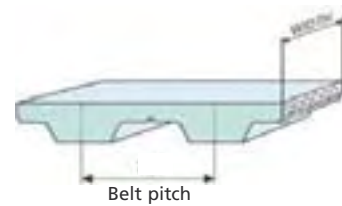
The three most significant dimensions of a belt are:

1) Pitch is the distance in millimetres between two adjacent teeth centers as measured on the pitch line of the belt; the theoretical pitch line of a MEGAPOWER belt lies within the tensile member. It is indicated with abbreviations like T5, AT5, T10, AT10, H. The correspondence between abbreviations and pitches are indicated in the products pages.

2) Pitch length is the total length (circumference) in millimetres as measured along the pitch line. On the pulley, the pitch line identifies the primitive diameter. The primitive diameters of the driver (d_1) and driven (d_2) pulleys are the ones to be used for calculating the transmission ratio

$$i = \frac{d_2}{d_1}$$

3) Width can vary depending on driving system needs.



Reference dimensions

The imperial pitch belts follow ISO 5296-1 normative.
 The T series driving systems follow the normative DIN-7721-1.
 The ISO normative for AT series driving systems is under construction.

A belt is constituted by two components: the body in POLYURETHANE and a tension member represented by the CORDS in steel, fiberglass, polyester and Kevlar.

STANDARD RANGE



MXL • XL • L • H



T2,5 • T5 • T10



T2,5DL • T5DL • T10DL



AT5 • AT10

CLASSIFICATIONS

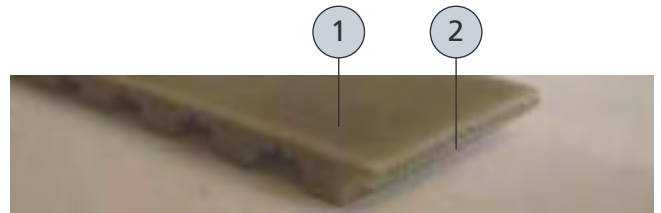
CLASSIFICATIONS

Megapower Timing Belts are manufactured in thermoset polyurethane, with helicoidal zinked steel. This type of belts, developed by our Research & Development, offers good running characteristics and high traction loads. They are especially suited for power transmission. An extra thickness of special coating is also possible on the back of the belt offering extra protection against aggressive or heavy products.

1) The body of the belts is grey/green thermoset polyurethane 88 ShA, characterized by high levels of wear resistance even in the presence of shock and surge loading. The thermoset polyurethane is obtained by mixing a prepolymer with a bonding compound and heating the mixture. After cooling down to ambient temperature, the result is a polyurethane with good chemical and mechanical characteristics giving the belt high performances and long lifetime.

2) High strength helicoidal zinked steel tension members allow high breaking load and extremely low elongation. The combination of these high grade materials improves belt performances which can be summarised as follows:

- exceptional resistance to abrasion and tooth shear
- low coefficient of friction
- high flexibility
- ozone and temperature resistance (-25 °C / +80 °C)
- oil, grease and gasoline resistance



MECHANICAL AND CHEMICAL CHARACTERISTICS

- Constant dimensions
- Noiseless
- Free maintenance
- High flexibility
- High resistance steel traction cords, with little stretching and top flexibility
- Linear speeds up to 70 m/s
- Low pretension
- Constant length
- High abrasion resistance
- Ageing, Hydrolysis, Ozone resistant
- Working temperature -25 °C / +80 °C
- High resistance to Oils, Greases and Gasoline
- Fairly Acid-proof and Alkali-proof

BODY

Megapower belts are manufactured with grey/green thermoset polyurethane 88 ShA as standard.

Special compounds (different hardnesses, special properties) are available on request. Here under some PU characteristics:

Water	No problem in normal or sea clean water, at room temperature. Over 60 °C there is a fast decrease of breaking strength.
Acids	In acids diluted proportions, at room temperature, this PU is moderately attacked. In high concentration acid solutions, this PU has a very short lifespan. Over 50 °C, acids are always dangerous for thermoset PU.
Alkalis	In alkalis diluted proportions, at room temperature, this PU is moderately attacked. In high concentration alkaline solutions, this PU has a very short lifespan.
Solvents	Thermoset PU is insoluble in the greater part of solvents. Only the very polar solvents (same as tetrahydrofuran, dimethylformamide, n-methylpyrrolidone) can dissolve or tight damage PU. The esters or the ketons (same as ethylacetate or methylethylketene) can usually produce a bulge, decreasing mechanical characteristics. The aromatic hydrocarbons and the aliphatic hydrocarbons produce very high bulge.
Oils	PU has a high resistance to mineral pure oils (lubrificants, engine oils, combustibile oils). Usually, high performance syntetic oils, due to special addictives contained, can be incompatible with thermoset PU, especially at high temperature.
Greases	PU has a high resistance to pure mineral greases (lubrificants greases). Usually, high performance syntetic greases, due to special addictives contained, can be incompatible with thermoset PU, especially at high temperature.
Fuels	Good resistance to petrol without alcohols. In presence of alcohols, thermoset PU can suffer deterioration. Fuels including aromatic stuffs can produce reversible bulges.
Microorganisms	In presence of grime, containing humidity, microorganisms can develop. In case that microbic attack can produce danger, you have to use a special kind of PU.

CORDS

Standard cord	Megapower is manufactured with helicoidal zinked steel cords as standard.
Kevlar	Kevlar tension cords are suggested for non magnetic, precisely for use in drives with metal detectors, and they also are widely used in food industry.
HP	High performance cords have 25% more strength capacity than standard cords. They are recommended for high repeatability applications.
HF	High flexibility cords can accept smaller pulley and idler diameters than standard cords. They are suitable for multi-shaft drives with severe reverse bending.
HPF	High performance and flexibility cords have 25% more strength capacity like the HP cords, but they are more flexible than the HP cords. They are suggested for high performance and multi-shaft drives.
Stainless steel	Stainless steel cords have 25% less strength capacity than standard cords. They are recommended for water applications.
Fiberglass and polyester cord	They combine particular mechanical characteristics, such as high flexibility, with resistance to water, wet and humid environments.

Special compound and cords have to be tested and homologated on application. Megadyne is not responsible for wrong functioning of special products.

COATING

Megapower belts can be manufactured with special coatings, in order to fit many application with different requirements. For feasibility see table at page 23 and for properties see page 24.

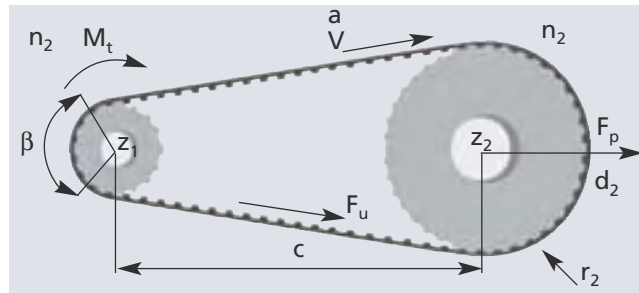
IDENTIFICATION CODE

Using the information in the table below, it is possible to identify the correct belt for every application. The code is composed of letters and numbers as the following example:

1	2	3	4	5	6					
MPW	+	50	+	AT	+	10	+	1500	+	SPECIAL MANUFACTURES

- 1) **MPW** Megapower timing belt.
- 2) **50** This number indicates the width of requested belt. The value is in mm for a belt with a pitch in mm, and in inches for a belt with a pitch in inches.
- 3) **AT** This code composed by letters indicates the selection of profile.
- 4) **10** This number indicates the standard pitch of the belt. It is expressed in mm.
- 5) **1500** The last number indicates the length of the belt always in mm regardless of pitch.
- 6) **SPECIAL MANUFACTURES:**
 - special cords as Kevlar or HP or HF or HPF or stainless steel or fiberglass or polyester
 - special compound as different hardness or different colours
 - extra coating

POWER TRANSMISSION CALCULATION PROCEDURE



Symbol	Unit	Definition	Symbol	Unit	Definition
t	mm	pitch	F_U	N	transmittable force
b	mm	belt width	F_p	N	pretension
L_w	mm	belt length	i	–	speed ratio
c	mm	center distance	n₁, n₂	RPM	speed of driver/ driven pulley
β		arc of contact	d₁, d₂	mm	pitch diameter of driver/ driven pulley
c₁, c₂, c₃, c₄		safety factors	z₁, z₂		no. of teeth of driver/ driven pulley
P	kW	power	z_s, z_l		no. of teeth of small/ large pulley
P_R	kW/cm	transmittable power each cm of tooth in mesh	Z_m		no. of teeth in mesh

DETERMINATION OF BELT PITCH

The belt pitch can be determined with the belt selection chart at page 10 (for new applications we suggest AT profiles), referring to the speed of the small pulley.

DETERMINATION OF SPEED RATIO

The speed ratio represents the ratio of pulley speed n_1 to n_2 , or pulley pitch diameter d_2 to d_1 or of number of teeth z_2 to z_1 .

$$i = \frac{n_1}{n_2} = \frac{d_2}{d_1} = \frac{z_2}{z_1}$$

SELECTION OF NEEDED TIMING PULLEYS

For the selection of the needed timing pulleys see belt data pages and pulleys catalogue.

CALCULATION OF BELT LENGTH

The belt length can be determined replacing your values in the following formula:

$$L_w[\text{mm}] = 2 \cdot c \cdot \sin \frac{\beta}{2} + \frac{t}{2} \cdot \left[z_1 + z_2 + \left(1 - \frac{\beta}{180} \right) \cdot (z_2 - z_1) \right] \quad \text{where} \quad \beta = 2 \cdot \arccos \left[\frac{t \cdot (z_2 - z_1)}{2 \cdot \pi \cdot c} \right]$$

The actual belt length is to be taken from those available in the table (see belt page), the closest to the calculated L_w .

CALCULATION OF CENTER DISTANCE

The approximate center distance can be determined replacing your values in the following formula:

$$c = \frac{1}{4} \left[L_w - \frac{t}{2} (z_1 + z_2) + \sqrt{\left[L_w - \frac{t}{2} (z_1 + z_2) \right]^2 - \left[\frac{t}{\pi} (z_1 - z_2) \right]^2} \right]$$

CHOICE OF SAFETY FACTOR

The total safety factor C_{TOT} is the correction coefficient for the power (to be transmitted) to obtain the design power.

$$C_{TOT} = C_1 + C_2 + C_3$$

C_1 is the *Acceleration Factor*, used when the inverse of speed ratio i is $> 1,24$

$1/i$	1,00÷1,24	1,25÷1,74	1,75÷2,49	2,50÷3,49	>3,50
C_1	0	0,1	0,2	0,3	0,4

C_2 is the *Service Factor* depending on the number of the operational hours per day (operation time)

h/day	8÷10	10÷16	16÷24	Intermittent	Seasonal
C_2	0	+0,1	+0,2	-0,1	-0,1

C_3 is the *Load Factor* depending on the type of driver used by internal transmission of the driven machine. For C_3 values see the table 1 at page 10.

DETERMINATION OF NUMBER OF TEETH IN MESH

The number of the teeth in mesh can be determined replacing your values in the following formula:

$$z_m = \frac{z_1 \cdot \beta}{360}$$

If calculated z_m is above 15, consider $z_m = 15$ (maximum number of teeth in mesh)

DETERMINATION OF BELT WIDTH

The belt width is calculated using the transmittable power P_R per tooth in mesh and per cm belt width (see table at belt page).

$$b[\text{mm}] = \frac{P \cdot C_{TOT} \cdot 10}{P_R \cdot z_m}$$

CALCULATION PARAMETERS

BELT SELECTION CHART

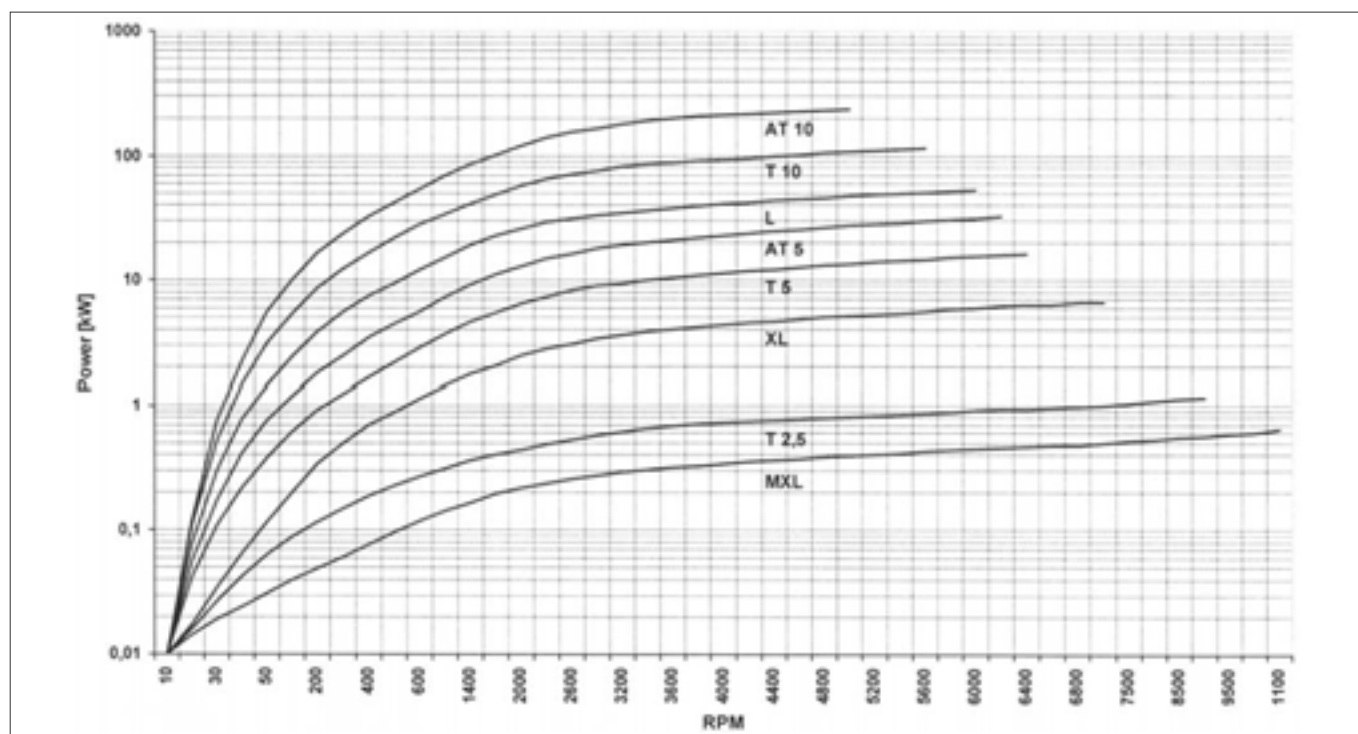


Table 1 - Load Factor C₃

Driven Machine	Driver			Driven Machine	Driver		
	Type A	Type B	Type C		Type A	Type B	Type C
Office machinery				Sawmill machinery	1,4	1,6	1,8
Typewriters	1	1,1	1,2	Brick machinery			
Computers, printers	1,1	1,2	1,3	Mixers	1,4	1,6	1,8
Teleprinters, photocopiers	1,1	1,2	1,3	Pug mills	1,6	1,8	2
Motion-picture projectors and cameras	1	1,2	1,2	Textile machinery			
Domestic machinery				Spoolers and warping machines	1,2	1,4	1,6
Centrifuges	1	1,1	1,2	Spinning and twisting machines	1,3	1,5	1,7
Kitchen appliances, universal slicers	1,1	1,2	1,3	Paper machinery			
Sewing machines				Agitators, calenders, driers	1,2	1,4	1,6
Domestic sewing machines	1,1	1,2	1,3	Pumps, beaters, pulpers	1,4	1,6	1,8
Industrial sewing machines	1,2	1,3	1,4	Printing machinery			
Laundry machinery				Linotype machines, cutters, folders	1,2	1,4	1,6
Driers	1,2	1,4	1,6	Rotary presses	1,3	1,5	1,7
Washing machines	1,4	1,6	1,8	Screens			
Bakery machinery and dough mixers	1,2	1,4	1,6	Drum screens	1,2	1,4	1,6
Conveyors				Vibrating screens	1,3	1,5	1,7
Light-duty belt conveyors	1,1	1,2	1,3	Fans, Blowers			
Belt conveyor for ore, coal, sand	1,2	1,4	1,6	Exhauster, radial blowers	1,4	1,6	1,8
Heavy duty conveyors	1,4	1,6	1,8	Mine ventilators, axial blowers	1,6	1,8	2
Elevators, screw conveyors	1,4	1,6	1,8	Compressors			
Bucket elevators	1,4	1,6	1,8	Helical compressors	1,4	1,5	1,6
Agitators				Piston compressors	1,6	1,8	2
Mixers for liquids	1,2	1,4	1,6	Pumps			
Mixers for semi-liquids	1,3	1,5	1,7	Centrifugal and gear pumps	1,2	1,4	1,6
Machine tools				Reciprocating pumps	1,7	1,9	2,1
Lathes	1,2	1,4	1,6	Generators and exciters	1,4	1,6	1,8
Drills and grinders	1,3	1,5	1,7	Elevators and hoists	1,4	1,6	1,8
Millers and planers	1,3	1,5	1,7	Centrifuges	1,5	1,7	1,9
Woodworking machinery				Rubber machinery	1,5	1,7	1,9
Lathes and band saws	1,2	1,3	1,5	Mills			
Planers and disk saws	1,2	1,4	1,6	Hammer mills	1,5	1,7	1,9
				Ball, roller and gravel mills	1,7	1,9	2,1

Type A: electric motors with low starting torque (up to 1,5 times the rated torque).

Type B: electric motors with normal starting torque (1,5 to 2,5 times the rated torque).

Type C: electric motors with high starting and breaking torque (over 2,5 times the related torque).

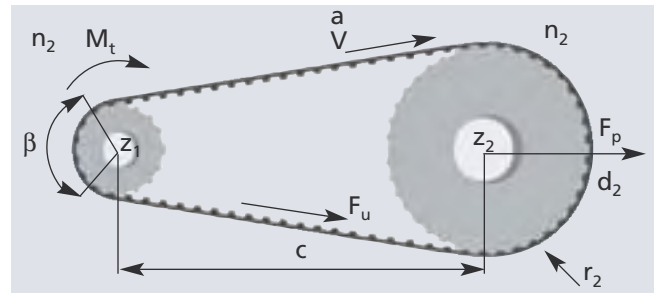
BELT CALCULATION EXAMPLE

DRIVER DATA

electric motor P=2kW
 n=3000RPM
 Low starting torque

MACHINE DATA

Wood working machine
 N=900RPM
 Max diameter driven pulley 110mm
 c=300mm



DETERMINATION OF BELT PITCH

According Belt selection chart at page 10, considering values of P=2kW and n=3000RPM, it is possible to choose T5 AT5 L T10 or AT10.
 We choose T10.

DETERMINATION OF SPEED RATIO

$$i = \frac{n_1}{n_2} = \frac{3000}{900} = 3.33$$

SELECTION OF NEEDED TIMING PULLEYS

According page 20 we choose $z_2=36$ $d_2=108.36$ mm

$$d_1 = \frac{d_2}{i} = \frac{108.36}{3.33} = 32.54$$
mm and from page 20 we choose pulley diameter is for $z_1=12$

Actual speed ratio

$$i = \frac{Z_2}{Z_1} = \frac{36}{12} = 3$$

CALCULATION OF BELT LENGTH

$\beta=166^\circ$ and $L=845$ mm

From page 20, closest length to calculates is $L_w= 850$ mm.

CALCULATION OF CENTER DISTANCE

The approximate center distance: $c=302.6$ mm

CHOICE OF SAFETY FACTOR

From table page 9, we select $c_1=0.3$ $c_2=0$

From Table page 10, we select $c_3=1.2$

So $c_{TOT}= 1.5$

DETERMINATION OF NUMBER OF TEETH IN MESH

The number of the teeth in mesh can be determined replacing your values in the following formula:

$$z_m = \frac{z \cdot \beta}{360} = 5$$

DETERMINATION OF BELT WIDTH

From page 20, for $z=12$ and $n=3000$ $P_R=0.127$ N so $b = \frac{P \cdot c_{TOT} \cdot 10}{(P_R \cdot z_m)} = 47.24$ mm

From page 20, closest width is 50mm

The choice for transmission is belt 50 T10 850, driver pulley 56T10 12 and driven pulley 56 T10 36

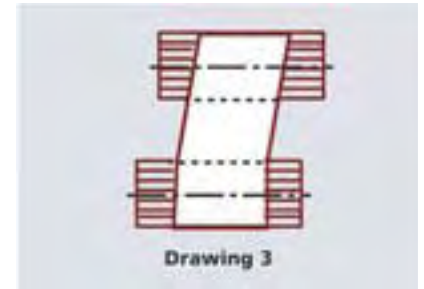
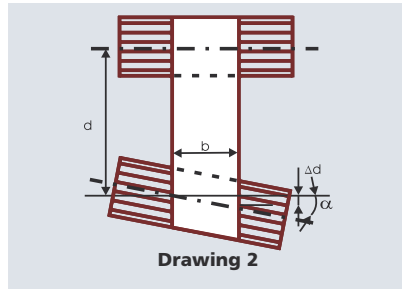
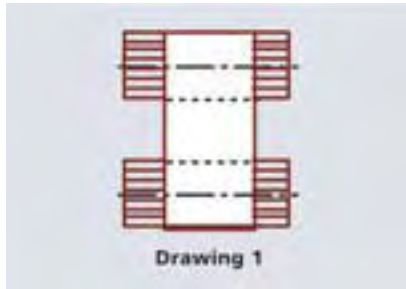
BELT INSTALLATION

For a correct system functioning and to increase belt life, it is necessary a correct pulley installation: pulleys have to be parallel and aligned as shown in drawing 1 (correct configuration).

If pulleys are not parallel belt could fall during functioning and this can cause damages to the complete equipment.

Maximum acceptable disalignment is $\alpha_{\max} = \frac{\Delta d}{b}$ as shown in drawing 2.

To guarantee a correct belt running, configuration as the drawing 3 has to be avoided.



CALCULATION OF PRETENSION FORCE F_p

The pretension force is the load which has to be applied to the center of one of the driving system's pulleys in static conditions to avoid the derailing of the belt.

$$F_p = 2 \cdot F_v \cdot \sin \frac{\beta}{2}$$

For:

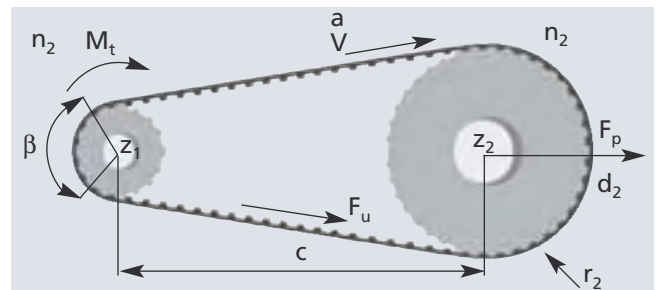
- $z < 60$ $F_v = \frac{1}{3} \cdot F_u$

- $60 < z < 150$ $F_v = \frac{1}{2} \cdot F_u$

- $z > 150$ $F_v = \frac{2}{3} \cdot F_u$

where

$$F_u = \frac{60 \cdot 10^6 \cdot P \cdot \sin \frac{\beta}{2}}{t \cdot n_1 \cdot z_1}$$



MEASURING PROCEDURE

The procedure to measure the tension of the belt is to use a Belt Tensioning Gauging Equipment. This device consists of a small sensing head which is held across the belt to be measured. The belt is then tapped to induce the belt to vibrate at its natural frequency. The vibrations are detected and the frequency of vibration is then displayed on the measuring unit.

The relation between belt static tension (T_s) and frequency of vibration (f) may be calculated using the following formula:

$$f = \frac{1}{2t} \cdot \sqrt{\frac{T_s}{m}} \quad \text{or} \quad T_s = 4 \cdot m \cdot t^2 \cdot f^2$$

m = belt mass per unit length (kg/m)

t = free belt span length in meters (m)

T_s = static tension (N)

f = frequency of vibration (Hz)



To ensure that the performance and durability of a toothed belt drive will fully meet requirements of a particular application, it is necessary firstly to accurately select the drive and then to make sure the drive is correctly installed. If this procedure is not followed, the drive life and efficiency may be considerably reduced. The most frequent problems encountered and their probable causes are listed in the table below.

Problems	Causes	Corrective actions
Abnormal wear of the belt: a) on the side of the tooth	Belt excessively taut	Reduce centre distance
	Excessive overloading	Use a wider belt
	Incorrect contour or diameter of pulley	Replace pulley after checking contour or diameter
b) on the bottom of the tooth	Excessive installation tension	Reduce centre distance
c) at the tooth root	Incorrect diameter of pulley	Replace pulley after checking diameter
d) on the side of the belt	Incorrect contour or diameter of pulley	Replace pulley after checking contour or diameter
	Misalignment or wrong setting of pulleys	Replace pulley after checking contour or diameter
	Oscillation of the axes and/or of the bearings	Correct the positioning of the pulleys and reinforce the bearings
	Flanges bent	Straighten flanges
Failure through traction or through laceration of the teeth, indicating corrosion of the tension member	Diameter of small pulley i.e. below the minimum	Increase the diameter of the pulleys or use belts and pulleys of smaller pitch
	Excessive moisture	Eliminate the moisture
Laceration of belt teeth	Number of teeth in mesh less than six	Increase the number of teeth in mesh or use belts and pulleys of smaller pitch
	Excessive load	Use a wider belt
Rupture of tension member	Excessive load	Use a wider belt
	Diameter of pulley below minimum	Increase the diameter of the pulleys
Breaks or cracks in the top surface of the belt	Exposure to excessively low temperatures (below -25° C)	Eliminate the low temperature
Softening of the top surface of the belt	Exposure to excessively high temperatures (below +85° C) or operation with excessive amount of oil present	Eliminate the high temperature or reduce the amount of oil present
Apparent elongation of the belt	Reduction of centre distance due to bearings not being firmly fixed	Restore the initial centre distance and strengthen the bearings
Belt overriding the flanges	Faulty installation of the flanges	Reinstall the flanges correctly
	Misalignment of pulleys	Align pulleys
Excessive wear of pulley teeth	Excessive overloading	Use a wider belt
	Belt excessively taut	Reduce the centre distance
	Pulley material insufficiently hard	Harden the pulley surface
Drive excessively noisy	Pulleys out of line	Align pulleys
	Excessive installation tension	Reduce the centre distance
	Excessive load	Use a wider belt
	Diameter of pulley below minimum	Increase the diameter of the pulleys

MEGAPOWER MXL

BELT CHARACTERISTICS

BELT WIDTH (mm)	3,2 (012")	4,8 (019")	6,4 (025")
PULLEY WIDTH B2 (mm)	5,6	7,1	8,9
BELT WEIGHT (gr/cm)	0,035	0,053	0,073

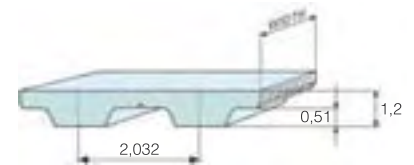
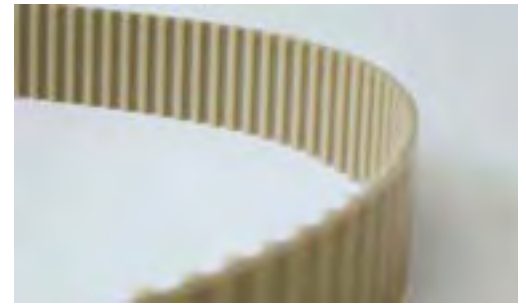
Standard compound: **Thermoset PU 88 ShA grey/green**

Standard cords: **Twisted Zinked Steel**

Standard width tolerance: **+ 0,50 / - 0,80 mm**

Standard thickness tolerance: **+/- 0,20 mm**

Special version belts on request, **see page 23**



BELT LENGTHS AND TOLERANCES (according ISO 5296-1)

Code	80055	80057	80060	80070	80072	80075	80076	80079	80080	80082	80088	80091	80092	80096	80101
Length (mm)	111,7	115,8	121,9	142,2	146,3	152,4	154,4	160,5	162,5	166,6	178,8	184,9	186,9	195,1	205,2
No. of teeth	55	57	60	70	72	75	76	79	80	82	88	91	92	96	101
Length tolerance (mm)	+/- 0,28														

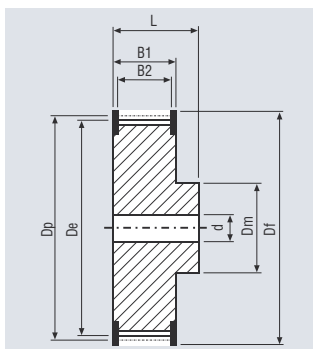
Code	80102	80103	80105	80110	80114	80118	80120	80130	80132	80135	80140	80145	80150	80155	80175	80190
Length (mm)	207,2	209,2	213,4	223,5	231,6	239,8	243,8	264,1	268,2	274,3	284,4	294,6	304,8	314,9	355,6	386,1
No. of teeth	102	103	105	110	114	118	120	130	132	135	140	145	150	155	175	190
Length tolerance (mm)	+/- 0,28												+/- 0,32			

Code	80200	80221	80256	80280	80285	80308	80332	80352	80360	80395	80405	80412	80432	80454	80485
Length (mm)	406,4	449,1	520,1	568,9	579,1	625,8	674,6	715,2	731,5	802,6	822,9	837,1	877,8	922,5	985,5
No. of teeth	200	221	256	280	285	308	332	352	360	395	405	412	432	454	485
Length tolerance (mm)	+/- 0,36		+/- 0,42			+/- 0,48			+/- 0,56						

TRANSMITTABLE POWER (kW/cm of tooth in mesh)

n/z	10	12	14	16	18	20	24	26	28	30	32	36	40
600	0,00137	0,00164	0,00191	0,00218	0,00246	0,00273	0,00328	0,00355	0,00382	0,00410	0,00437	0,00491	0,00546
800	0,00172	0,00206	0,00240	0,00275	0,00309	0,00343	0,00412	0,00446	0,00481	0,00515	0,00549	0,00618	0,00686
1000	0,00204	0,00245	0,00286	0,00327	0,00368	0,00409	0,00491	0,00532	0,00573	0,00613	0,00654	0,00736	0,00818
1400	0,00265	0,00318	0,00371	0,00424	0,00477	0,00530	0,00636	0,00689	0,00742	0,00795	0,00848	0,00954	0,01060
1800	0,00320	0,00384	0,00448	0,00513	0,00577	0,00641	0,00769	0,00833	0,00897	0,00961	0,01025	0,01153	0,01281
2000	0,00346	0,00416	0,00485	0,00554	0,00624	0,00693	0,00831	0,00901	0,00970	0,01039	0,01109	0,01247	0,01386
3000	0,00465	0,00558	0,00651	0,00744	0,00837	0,00930	0,01115	0,01208	0,01301	0,01394	0,01487	0,01673	0,01859
4000	0,00568	0,00681	0,00795	0,00908	0,01022	0,01136	0,01363	0,01476	0,01590	0,01703	0,01817	0,02044	0,02271
5000	0,00659	0,00791	0,00923	0,01055	0,01187	0,01319	0,01583	0,01715	0,01846	0,01978	0,02110	0,02374	0,02638
8000	0,00886	0,01063	0,01240	0,01417	0,01594	0,01771	0,02125	0,02302	0,02480	0,02657	0,02834	0,03188	0,03542

PULLEYS (for more details see our pulleys catalogue)



No. teeth	Dp	De	No. teeth	Dp	De
10	6,47	5,96	26	16,81	16,30
12	7,76	7,25	28	18,11	17,60
13	8,41	7,90	30	19,40	18,89
14	9,06	8,55	32	20,70	20,19
15	9,70	9,19	34	21,99	21,48
16	10,35	9,84	36	23,29	22,78
17	11,00	10,49	40	25,87	25,36
18	11,64	11,13	42	27,17	26,66
19	12,29	11,78	44	28,46	27,95
20	12,94	12,43	48	31,05	30,54
21	13,58	13,07	60	38,81	38,30
22	14,23	13,72	65	42,04	41,53
24	15,52	15,01	72	46,57	46,06

BELT CHARACTERISTICS

BELT WIDTH (mm)	6,4 (025")	7,9 (031")	9,4 (037")
PULLEY WIDTH B2 (mm)	8,9	10,4	12,2
BELT WEIGHT (gr/cm)	0,121	0,153	0,182

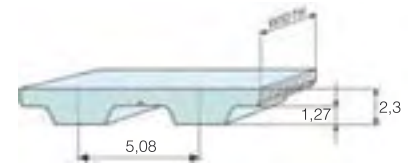
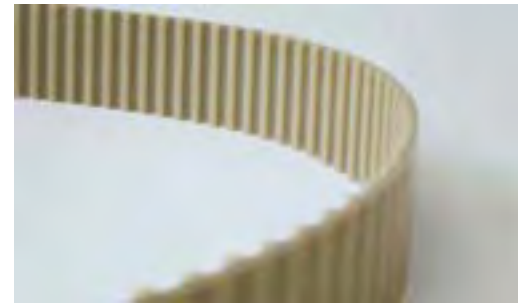
Standard compound: **Thermoset PU 88 ShA grey/green**

Standard cords: **Twisted Zinked Steel**

Standard width tolerance: **+ 0,50 / - 0,80 mm**

Standard thickness tolerance: **+/- 0,25 mm**

Special version belts on request, **see page 23**



BELT LENGTHS AND TOLERANCES (according ISO 5296-1)

Code	60	70	76	80	90	100	110	120	130	134	140	150	160
Length (mm)	152,4	177,8	193	230,2	228,6	254	279,4	304,8	330,2	340,3	355,6	381	406,4
No. of teeth	30	35	38	40	45	50	55	60	65	67	70	75	80
Length tolerance (mm)	+/- 0,28						+/- 0,32			+/- 0,36			

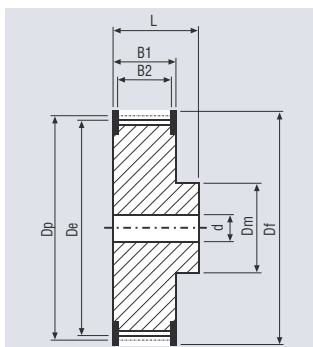
Code	170	180	190	194	200	210	220	230	240	250	260	270	288	290	300	356	414
Length (mm)	431,8	457,2	482,6	492,8	508	533,4	558,8	584,2	609,6	635	660,4	685,8	731,5	736,6	762	904,2	1051,5
No. of teeth	85	90	95	97	100	105	110	115	120	125	130	135	144	145	150	178	207
Length tolerance (mm)	+/- 0,36				+/- 0,42					+/- 0,48				+/- 0,56 +/- 0,64			

Code	450	566
Length (mm)	1143	1437,6
No. of teeth	225	283
Length tolerance (mm)	+/- 0,64	+/- 0,76

TRANSMITTABLE POWER (kW/cm of tooth in mesh)

n/z	10	12	14	16	18	20	24	28	32	40	48	60	72
100	0,0016	0,0019	0,0022	0,0026	0,0029	0,0032	0,0038	0,0045	0,0051	0,0064	0,0077	0,0096	0,0115
200	0,0029	0,0035	0,0041	0,0047	0,0053	0,0059	0,0070	0,0082	0,0094	0,0117	0,0141	0,0176	0,0211
600	0,0075	0,0091	0,0106	0,0121	0,0136	0,0151	0,0181	0,0211	0,0241	0,0302	0,0362	0,0453	0,0543
1000	0,0116	0,0139	0,0162	0,0186	0,0209	0,0232	0,0278	0,0325	0,0371	0,0464	0,0557	0,0696	0,0835
1500	0,0162	0,0195	0,0227	0,0260	0,0292	0,0325	0,0390	0,0455	0,0520	0,0650	0,0780	0,0975	0,1170
2000	0,0206	0,0247	0,0288	0,0329	0,0370	0,0411	0,0494	0,0576	0,0658	0,0823	0,0988	0,1234	0,1481
3000	0,0286	0,0343	0,0400	0,0457	0,0514	0,0571	0,0685	0,0799	0,0914	0,1142	0,1370	0,1713	0,2056
4000	0,0359	0,0431	0,0502	0,0574	0,0646	0,0718	0,0861	0,1005	0,1148	0,1435	0,1722	0,2153	0,2584
5000	0,0427	0,0513	0,0598	0,0684	0,0769	0,0855	0,1026	0,1197	0,1368	0,1710	0,2051	0,2564	0,3077
8000	0,0612	0,0735	0,0857	0,0980	0,1102	0,1225	0,1470	0,1715	0,1960	0,2450	0,2940	0,3675	0,4410

PULLEYS (for more details see our pulleys catalogue)



No. teeth	Dp	De	No. teeth	Dp	De
10	16,17	15,66	26	42,04	41,53
11	17,79	17,28	28	45,28	44,77
12	19,40	18,89	30	48,51	48,00
13	21,02	20,51	32	51,74	51,23
14	22,64	22,13	36	58,21	57,70
15	24,26	23,75	40	64,68	64,17
16	25,87	25,36	42	67,91	67,40
17	27,49	26,98	44	71,15	70,64
18	29,11	28,60	48	77,62	77,11
20	32,34	31,83	56	90,55	90,04
22	35,57	35,07	60	97,02	96,51
24	38,81	38,30	72	116,43	115,92

MEGAPOWER L

BELT CHARACTERISTICS

BELT WIDTH (mm)	12,7 (050")	19,1 (075")	25,4 (100")
PULLEY WIDTH B2 (mm)	19	25,4	29,7
BELT WEIGHT (gr/cm)	0,437	0,661	0,878

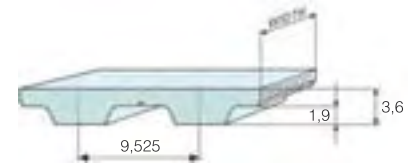
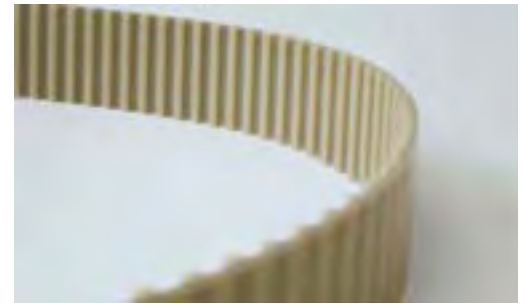
Standard compound: **Thermoset PU 88 ShA grey/green**

Standard cords: **Twisted Zinked Steel**

Standard width tolerance: **+/- 0,80 mm**

Standard thickness tolerance: **+/- 0,30 mm**

Special version belts on request, **see page 23**



BELT LENGTHS AND TOLERANCES (according ISO 5296-1)

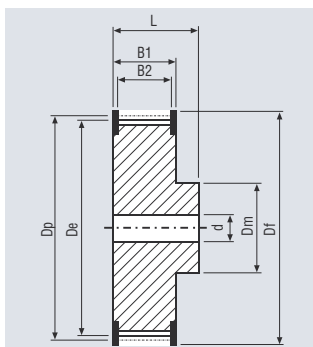
Code	86	124	150	173	187	202	210	225	240	255	270	285	300	322	345	367
Length (mm)	218,6	314,3	381	438,2	476,2	514,4	533,4	571,5	609,6	647,7	685,8	723,9	762	817,9	876,3	933,4
No. of teeth	23	33	40	46	50	54	56	60	64	68	72	76	86	92	98	104
Length tolerance (mm)	+/- 0,28	+/- 0,32		+/- 0,36		+/- 0,42		+/- 0,48		+/- 0,48		+/- 0,56		+/- 0,56		

Code	390	420	450	480	510	540	570	600
Length (mm)	990,6	1066,8	1143	1219,2	1295,4	1371,6	1447,8	1524
No. of teeth	104	112	120	128	136	144	152	160
Length tolerance (mm)		+/- 0,64			+/- 0,76			

TRANSMITTABLE POWER (kW/cm of tooth in mesh)

n/z	10	12	14	16	18	20	22	24	28	30	32	36	40
100	0,0050	0,0060	0,0070	0,0079	0,0089	0,0099	0,0109	0,0119	0,0139	0,0149	0,0159	0,0179	0,0199
200	0,0089	0,0107	0,0125	0,0143	0,0161	0,0178	0,0196	0,0214	0,0250	0,0268	0,0285	0,0321	0,0357
600	0,0219	0,0263	0,0307	0,0351	0,0394	0,0438	0,0454	0,0482	0,0530	0,0568	0,0606	0,0681	0,0757
1000	0,0328	0,0393	0,0459	0,0524	0,0590	0,0655	0,0721	0,0786	0,0917	0,0983	0,1048	0,1179	0,1311
1500	0,0447	0,0536	0,0625	0,0715	0,0804	0,0894	0,0983	0,1072	0,1251	0,1340	0,1430	0,1608	0,1787
2000	0,0553	0,0664	0,0775	0,0885	0,0996	0,1107	0,1218	0,1328	0,1550	0,1660	0,1771	0,1992	0,2214
3000	0,0741	0,0889	0,1037	0,1185	0,1333	0,1482	0,1630	0,1778	0,2074	0,2222	0,2370	0,2667	0,2963
4000	0,0903	0,1084	0,1264	0,1445	0,1626	0,1806	0,1987	0,2168	0,2529	0,2709	0,2890	0,3251	0,3613
5000	0,1047	0,1256	0,1466	0,1675	0,1885	0,2094	0,2303	0,2513	0,2932	0,3141	0,3350	0,3769	0,4188
8000	0,1399	0,1679	0,1958	0,2238	0,2518	0,2798	0,3078	0,3357	0,3917	0,4197	0,4477	0,5036	0,5596

PULLEYS (for more details see our pulleys catalogue)



No. teeth	Dp	De	No. teeth	Dp	De
10	30,32	29,56	30	90,96	90,20
11	33,35	32,59	32	97,02	96,26
12	36,38	35,62	34	103,08	102,32
13	39,41	38,65	36	109,15	108,39
14	42,45	41,69	40	121,28	120,52
16	48,51	47,75	42	127,34	126,58
18	54,57	53,81	44	133,40	132,64
20	60,64	59,88	48	145,53	144,76
22	66,70	65,94	52	157,66	156,90
24	72,77	72,01	56	169,79	169,03
26	78,83	78,07	60	181,91	181,15
28	84,89	84,13	72	218,30	217,54

BELT CHARACTERISTICS

BELT WIDTH (mm)	19,1 (075")	25,4 (100")	38,1 (150")	50,8 (200")	76,2 (300")
PULLEY WIDTH B2 (mm)	25,4	29,7	46	59	85
BELT WEIGHT (gr/cm)	0,745	1,059	1,594	2,121	3,194

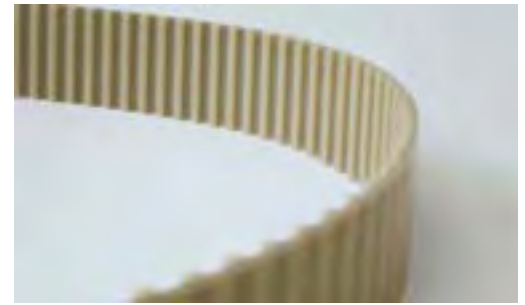
Standard compound: **Thermoset PU 88 ShA grey/green**

Standard cords: **Twisted Zinked Steel**

Standard width tolerance: **+/- 0,80 mm**

Standard thickness tolerance: **+/- 0,30 mm**

Special version belts on request, **see page 23**



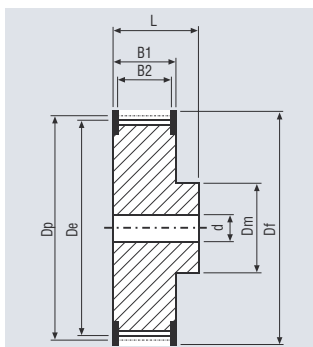
BELT LENGTHS AND TOLERANCES (according ISO 5296-1)

Code	230	240	270	300	330	360	390	420	450	480	510
Length (mm)	584,2	609,6	685,8	762	838,2	914,4	990,6	1066,8	1143	1219,2	1295,4
No. of teeth	46	48	54	60	66	72	78	84	90	96	102
Length tolerance (mm)	+/- 0,42		+/- 0,56		+/- 0,64			+/- 0,76		+/- 0,88	

TRANSMITTABLE POWER (kW/cm of tooth in mesh)

n/z	14	16	18	20	22	24	26	28	30	32	36	40	44
100	0,0128	0,0142	0,0163	0,0185	0,0199	0,0213	0,0234	0,0255	0,0277	0,0293	0,0341	0,0362	0,0394
200	0,0229	0,0255	0,0293	0,0331	0,0357	0,0382	0,0421	0,0459	0,0497	0,0526	0,0611	0,0650	0,0709
600	0,0563	0,0626	0,0720	0,0814	0,0876	0,0939	0,1033	0,1127	0,1221	0,1291	0,1502	0,1596	0,1741
1000	0,0842	0,0936	0,1077	0,1217	0,1311	0,1404	0,1545	0,1685	0,1826	0,1931	0,2247	0,2387	0,2603
1500	0,1149	0,1276	0,1468	0,1659	0,1787	0,1915	0,2107	0,2298	0,2490	0,2633	0,3064	0,3256	0,3550
2000	0,1423	0,1581	0,1818	0,2056	0,2214	0,2372	0,2609	0,2846	0,3084	0,3262	0,3795	0,4032	0,4397
3000	0,1905	0,2116	0,2434	0,2751	0,2963	0,3175	0,3493	0,3810	0,4128	0,4366	0,5080	0,5398	0,5886
4000	0,2322	0,2580	0,2968	0,3355	0,3613	0,3871	0,4258	0,4645	0,5032	0,5322	0,6193	0,6580	0,7176
5000	0,2692	0,2991	0,3440	0,3889	0,4188	0,4487	0,4936	0,5384	0,5833	0,6170	0,7179	0,7628	0,8319
8000	0,3597	0,3997	0,4597	0,5196	0,5596	0,5995	0,6595	0,7194	0,7794				

PULLEYS (for more details see our pulleys catalogue)



No. teeth	Dp	De	No. teeth	Dp	De
14	56.60	55.23	30	121.28	119.91
15	60.64	59.27	32	129.36	127.99
16	64.68	63.31	34	137.45	136.08
18	72.77	71.40	36	145.53	144.16
20	80.85	79.48	38	153.62	152.25
21	84.89	83.52	40	161.70	160.33
22	88.94	87.57	44	177.87	176.50
23	92.98	91.61	48	194.04	192.67
24	97.02	95.65	52	210.21	208.84
25	101.06	99.69	58	234.47	233.10
26	105.11	103.74	60	242.55	241.18
28	113.19	111.82	72	291.06	289.69

MEGAPOWER T2,5 - T2,5DL

BELT CHARACTERISTICS

BELT WIDTH (mm)	4	6	8	10	12
PULLEY WIDTH B2 (mm)	8	10	12	14	16
BELT WEIGHT (gr/cm)	0,046	0,070	0,093	0,120	0,143

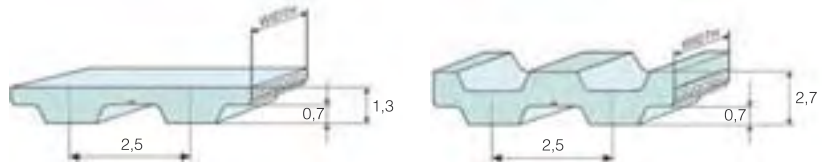
Standard compound: **Thermoset PU 88 ShA grey/green**

Standard cords: **Twisted Zinked Steel**

Standard width tolerance: **+/- 0,30 mm**

Standard thickness tolerance: **+/- 0,15 mm**

Special version belts on request, **see page 23**



BELT LENGTHS AND TOLERANCES (according DIN 7721-1)

Length (mm)	120	145	160	177,5	180	182,5	200	210	230	245	265	277,5	285	290	305	317,5	330	342,5	380
No. of teeth	48	58	64	71	72	73	80	84	92	98	106	111	114	116	122	127	132	137	152
Length tolerance (mm)	+/- 0,28															+/- 0,32			

Length (mm)	420	480	500	540	600	620	650	680	700	780	880	915	950	1185
No. of teeth	168	192	200	216	240	248	260	272	280	312	352	366	380	474
Length tolerance (mm)	+/- 0,36			+/- 0,42			+/- 0,48			+/- 0,56			+/- 0,64	

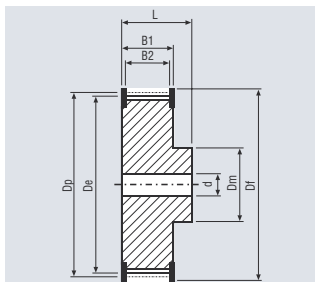
DOUBLETOOTHED BELT LENGTHS

Length (mm)	457,5	(only with polyester cords)
No. of teeth	183	
Length tolerance	+/- 0,36	

TRANSMITTABLE POWER (kW/cm of tooth in mesh)

n/z	10	12	14	16	18	20	22	24	26	28	30	36	40
600	0,00195	0,00234	0,00273	0,00312	0,00351	0,00390	0,00429	0,00468	0,00507	0,00546	0,00585	0,00702	0,0078
800	0,00245	0,00294	0,00343	0,00392	0,00441	0,00490	0,00539	0,00588	0,00637	0,00686	0,00736	0,00883	0,00981
1000	0,00292	0,00351	0,00409	0,00467	0,00526	0,00585	0,00642	0,00700	0,00759	0,00817	0,00877	0,01052	0,01169
1400	0,00379	0,00454	0,00530	0,00606	0,00681	0,00757	0,00833	0,00909	0,00984	0,01060	0,01136	0,01363	0,01514
1600	0,00419	0,00503	0,00586	0,00670	0,00754	0,00838	0,00922	0,01005	0,01089	0,01173	0,01257	0,01508	0,01676
2000	0,00495	0,00594	0,00693	0,00792	0,00891	0,00990	0,01089	0,01188	0,01287	0,01386	0,01485	0,01782	0,01980
3000	0,00664	0,00797	0,00930	0,01062	0,01195	0,01328	0,01461	0,01594	0,01726	0,01859	0,01992	0,02390	0,02656
4000	0,00811	0,00973	0,01136	0,01298	0,01460	0,01622	0,01785	0,01947	0,02109	0,02271	0,02433	0,02920	0,03245
5000	0,00942	0,01130	0,01319	0,01507	0,01696	0,01884	0,02073	0,02261	0,02449	0,02638	0,02826	0,03391	0,03768
8000	0,01265	0,01518	0,01771	0,02024	0,02277	0,02530	0,02783	0,03036	0,03289	0,03542	0,03795	0,04554	0,05060

PULLEYS (for more details see our pulleys catalogue)



No. teeth	Dp	De	No. teeth	Dp	De
10	7,96	7,45	22	17,51	17,00
11	8,75	8,25	24	19,10	18,55
12	9,55	9,00	26	20,69	20,15
13	10,34	9,80	28	22,28	21,75
14	11,14	10,60	30	23,87	23,35
15	11,94	11,40	32	25,46	24,45
16	12,73	12,20	36	28,65	28,10
17	13,53	13,00	40	31,83	31,30
18	14,32	13,80	44	35,01	34,50
19	15,12	14,60	48	38,20	37,70
20	15,92	15,40	60	47,75	47,25
21	16,71	16,20	72	57,30	55,20

BELT CHARACTERISTICS

BELT WIDTH (mm)	6	8	10	12	16	20	25
PULLEY WIDTH B2 (mm)	12	13	15	17	21	25	30
BELT WEIGHT (gr/cm)	0,116	0,152	0,194	0,237	0,249	0,390	0,497

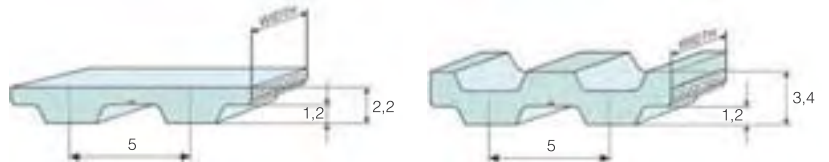
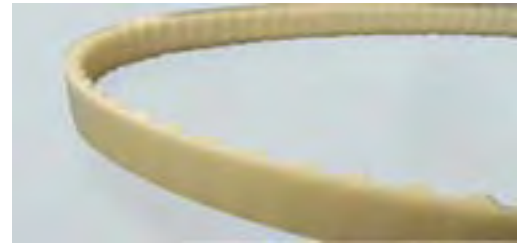
Standard compound: **Thermoset PU 88 ShA grey/green**

Standard cords: **Twisted Zinked Steel**

Standard width tolerance: **+/- 0,50 mm**

Standard thickness tolerance: **+/- 0,15 mm**

Special version belts on request, **see page 23**



BELT LENGTHS AND TOLERANCES (according DIN 7721-1)

Length (mm)	120	150	165	180	185	200	210	215	220	225	245	250	255	260	270	275	280	295	300	305		
No. of teeth	24	30	33	36	37	40	42	43	44	45	49	50	51	52	54	55	56	59	60	61		
Length tolerance (mm)	+/- 0,28																					
Length (mm)	330	340	350	355	365	375	390	400	410	420	425	440	445	450	455	460	475	480	500	510	515	525
No. of teeth	66	68	70	71	73	75	78	80	82	84	85	88	89	90	91	92	95	96	100	102	103	105
Length tolerance (mm)	+/- 0,32											+/- 0,36										
Length (mm)	545	550	560*	575	590	600	610	620	630	640	650	660	675	690	700	720	725	750	765	780	800	815
No. of teeth	109	110	112	115	118	120	122	124	126	128	130	132	135	138	140	144	145	150	153	156	160	163
Length tolerance (mm)	+/- 0,42											+/- 0,48										
Length (mm)	830	840	850	860	885	900	920	940	990	1075	1100	1160	1200	1215	1275	1280	1315	1355	1380	1440		
No. of teeth	166	168	170	172	177	180	184	188	198	215	220	232	240	243	255	256	263	271	276	288		
Length tolerance (mm)	+/- 0,56											+/- 0,64			+/- 0,76							
Length (mm)	1470	1500	1580	1955																		
No. of teeth	294	300	316	391																		
Length tolerance (mm)	+/- 0,76		+/- 0,88																			

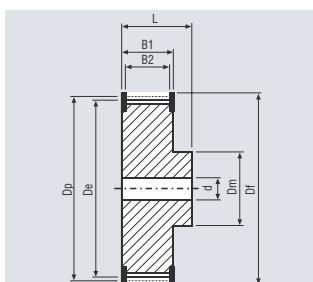
DOUBLETOOTHED BELT LENGTHS

Length (mm)	410	460	590	620	685	750	815	840	860	940	1100
No. of teeth	82	92	118	124	137	150	163	168	172	188	220
Length tolerance (mm)	+/- 0,36		+/- 0,42		+/- 0,48		+/- 0,56			+/- 0,64	

TRANSMITTABLE POWER (kW/cm of tooth in mesh)

n/z	10	12	14	16	18	20	24	28	36	42	48	54	60
100	0,0017	0,0020	0,0024	0,0027	0,0030	0,0034	0,0040	0,0047	0,0061	0,0071	0,0081	0,0091	0,0101
200	0,0031	0,0037	0,0043	0,0049	0,0056	0,0062	0,0074	0,0086	0,0111	0,0130	0,0148	0,0167	0,0185
600	0,0079	0,0095	0,0111	0,0127	0,0143	0,0159	0,0191	0,0222	0,0286	0,0333	0,0381	0,0429	0,0476
1000	0,0122	0,0147	0,0171	0,0195	0,0220	0,0244	0,0293	0,0342	0,0440	0,0513	0,0586	0,0659	0,0733
1500	0,0171	0,0205	0,0239	0,0274	0,0308	0,0342	0,0411	0,0479	0,0616	0,0718	0,0821	0,0924	0,1026
2000	0,0217	0,0260	0,0303	0,0346	0,0390	0,0433	0,0520	0,0628	0,0780	0,0910	0,1039	0,1169	0,1299
3000	0,0301	0,0361	0,0421	0,0481	0,0541	0,0601	0,0721	0,0842	0,1082	0,1262	0,1443	0,1623	0,1803
4000	0,0378	0,0453	0,0529	0,0604	0,0680	0,0755	0,0907	0,1058	0,1360	0,1586	0,1813	0,2040	0,2266
5000	0,0450	0,0540	0,0630	0,0720	0,0810	0,0900	0,1080	0,1260	0,1620	0,1889	0,2159	0,2429	0,2699
8000	0,0645	0,0774	0,0903	0,1032	0,1160	0,1289	0,1547	0,1805	0,2321	0,2708	0,3095	0,3481	0,3868

PULLEYS (for more details see our pulleys catalogue)



No. teeth	Dp	De	No. teeth	Dp	De
10	15,92	15,09	27	42,97	42,14
12	19,10	18,27	28	44,56	43,73
14	22,28	21,45	30	47,75	46,92
15	23,87	23,04	32	50,93	50,10
16	25,46	24,64	36	57,30	56,47
18	28,65	27,82	40	63,66	62,93
19	30,24	29,41	42	66,85	66,02
20	31,83	31,00	44	70,03	69,20
22	35,01	34,19	48	76,39	75,57
24	38,20	37,37	54	85,94	85,09
25	39,79	38,96	60	95,49	94,67
26	41,38	40,55			

* Available also without GAP

MEGAPOWER T10 - T10DL

BELT CHARACTERISTICS

BELT WIDTH (mm)	10	12	16	20	25	32	50	75
PULLEY WIDTH B2 (mm)	15	17	21	25	30	37	56	80
BELT WEIGHT (gr/cm)	0,494	0,504	0,683	0,861	1,082	1,386	2,174	3,276

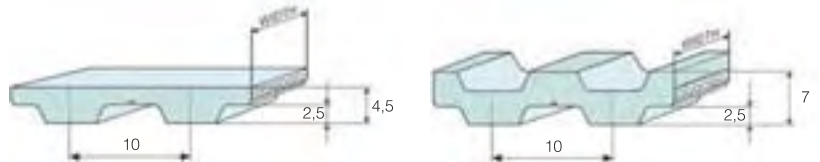
Standard compound: **Thermoset PU 88 ShA grey/green**

Standard cords: **Twisted Zinked Steel**

Standard width tolerance: **+/- 0,50 mm**

Standard thickness tolerance: **+/- 0,30 mm**

Special version belts on request, **see page 23**



BELT LENGTHS AND TOLERANCES (according DIN 7721-1)

Length (mm)	260	320	340	370	390	400	410	440	450	480	500	530	550	560	600*	610	630*	650	660	680	690	
No. of teeth	26	32	34	37	39	40	41	44	45	48	50	53	55	56	60	61	63	65	66	68	69	
Length tolerance (mm)	+/- 0,32			+/- 0,36					+/- 0,42					+/- 0,48								
Length (mm)	700	720*	730	750	780	800*	810	840	850	880	890	900*	910	920*	950	960	970	980	1000	1010	1050	
No. of teeth	70	72	73	75	78	80	81	84	85	88	89	90	91	92	95	96	97	98	100	101	105	
Length tolerance (mm)	+/- 0,48					+/- 0,56										+/- 0,64						
Length (mm)	1080	1100	1110	1140	1150	1200	1210	1240	1250	1300	1320	1350	1390	1400	1420	1440	1450	1460	1500	1560		
No. of teeth	108	110	111	114	115	120	121	124	125	130	132	135	139	140	142	144	145	146	150	156		
Length tolerance (mm)	+/- 0,64										+/- 0,76											
Length (mm)	1600	1610	1700	1750	1780	1880	1960	2250														
No. of teeth	160	161	170	175	178	188	196	225														
Length tolerance (mm)	+/- 0,88						+/- 1,04															

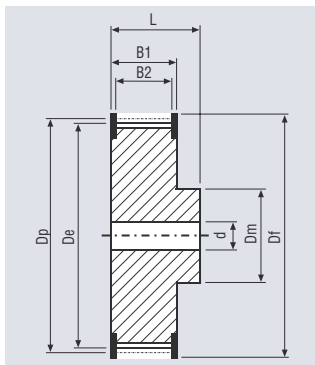
DOUBLETOOTHED BELT LENGTHS

Length (mm)	260	530	630	660	720	840	920	980	1100	1210	1240	1250	1320	1350	1420	1610	1880
No. of teeth	26	53	63	66	72	84	92	98	110	121	124	125	132	135	142	161	188
Length tolerance (mm)	+/- 0,28	+/- 0,42	+/- 0,48	+/- 0,56	+/- 0,64	+/- 0,76	+/- 0,88										

TRANSMITTABLE POWER (kW/cm of tooth in mesh)

n/z	12	14	16	18	20	22	24	26	28	30	36	48	54
100	0,0085	0,0099	0,0114	0,0128	0,0142	0,0156	0,0170	0,0185	0,0199	0,0213	0,0255	0,0341	0,0383
200	0,0153	0,0178	0,0204	0,0229	0,0255	0,0280	0,0306	0,0331	0,0357	0,0382	0,0459	0,0611	0,0688
600	0,0376	0,0438	0,0501	0,0563	0,0626	0,0689	0,0751	0,0814	0,0876	0,0939	0,1127	0,1502	0,1690
1000	0,0562	0,0655	0,0749	0,0842	0,0936	0,1030	0,1123	0,1217	0,1311	0,1404	0,1685	0,2247	0,2527
1500	0,0766	0,0894	0,1021	0,1149	0,1276	0,1404	0,1532	0,1659	0,1787	0,1915	0,2298	0,3064	0,3447
2000	0,0949	0,1107	0,1265	0,1423	0,1581	0,1739	0,1897	0,2056	0,2214	0,2372	0,2846	0,3795	0,4269
3000	0,1270	0,1482	0,1693	0,1905	0,2116	0,2328	0,2540	0,2751	0,2963	0,3175	0,3810	0,5080	0,5715
4000	0,1548	0,1806	0,2064	0,2322	0,2580	0,2838	0,3097	0,3355	0,3613	0,3871	0,4645	0,6193	0,6967
5000	0,1795	0,2094	0,2393	0,2692	0,2991	0,3290	0,3590	0,3889	0,4188	0,4487	0,5384	0,7179	0,8077
8000	0,2398	0,2798	0,3198	0,3597	0,3997	0,4397	0,4796	0,5196	0,5596	0,5995	0,7194		

PULLEYS (for more details see our pulleys catalogue)



No. teeth	Dp	De	No. teeth	Dp	De
12	38,20	36,25	27	85,94	84,10
14	44,56	42,71	28	89,13	87,28
15	47,75	45,90	30	95,49	93,65
16	50,93	49,08	32	101,86	100,01
18	57,30	55,45	36	114,59	112,74
19	60,48	58,63	40	127,32	125,48
20	63,66	61,81	44	140,06	138,21
22	70,03	68,18	48	152,79	150,94
24	76,39	74,55	54	171,89	170,03
25	79,58	77,73	60	190,99	189,14
26	82,76	80,91			

* Available also without GAP

BELT CHARACTERISTICS

BELT WIDTH (mm)	6	8	10	12	16	20	25
PULLEY WIDTH B2 (mm)	12	13	15	17	21	25	30
BELT WEIGHT (gr/cm)	0,185	0,253	0,316	0,378	0,508	0,640	0,800

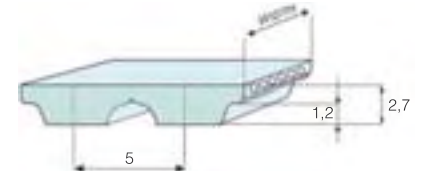
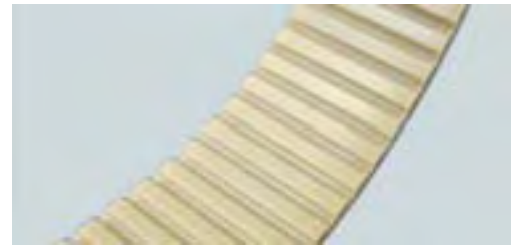
Standard compound: **Thermoset PU 88 ShA grey/green**

Standard cords: **Twisted Zinked Steel**

Standard width tolerance: **+/- 0,50 mm**

Standard thickness tolerance: **+/- 0,15 mm**

Special version belts on request, **see page 23**



BELT LENGTHS AND TOLERANCES

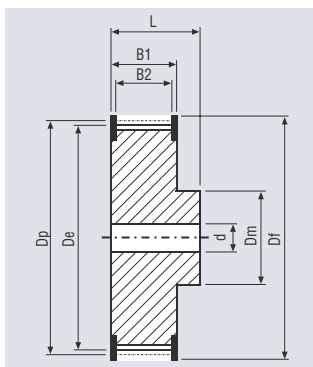
Length (mm)	225	255	275	280	300	330	340	375	390	420	450	455	480	500	525	545	600	610	620	630
No. of teeth	45	51	55	56	60	66	68	75	78	84	90	91	96	100	105	109	120	122	124	126
Length tolerance (mm)	+/- 0,28			+/- 0,32			+/- 0,36			+/- 0,42										

Length (mm)	660	670	710	720	750	780	825	860	975	1050	1125	1500	2000
No. of teeth	132	134	142	144	150	156	165	172	195	210	225	300	400
Length tolerance (mm)	+/- 0,48			+/- 0,56			+/- 0,64		+/- 0,76		+/- 1,04		

TRANSMITTABLE POWER (kW/cm of tooth in mesh)

n/z	12	14	16	18	20	22	24	26	28	32	44	60	68
100	0,0027	0,0031	0,0036	0,0040	0,0044	0,0049	0,0053	0,0057	0,0062	0,0071	0,0098	0,0133	0,0151
200	0,0049	0,0057	0,0065	0,0074	0,0082	0,0090	0,0098	0,0106	0,0114	0,0131	0,0180	0,0245	0,0278
600	0,0127	0,0148	0,0169	0,0190	0,0211	0,0232	0,0253	0,0274	0,0295	0,0338	0,0464	0,0633	0,0717
1000	0,0195	0,0228	0,0260	0,0293	0,0325	0,0358	0,0390	0,0422	0,0455	0,0520	0,0716	0,0976	0,1106
1500	0,0274	0,0320	0,0365	0,0411	0,0457	0,0502	0,0548	0,0593	0,0639	0,0730	0,1004	0,1370	0,1552
2000	0,0347	0,0405	0,0463	0,0521	0,0579	0,0637	0,0695	0,0753	0,0811	0,0926	0,1274	0,1737	0,1969
3000	0,0483	0,0564	0,0645	0,0725	0,0806	0,0886	0,0967	0,1047	0,1128	0,1289	0,1773	0,2417	0,2739
4000	0,0609	0,0710	0,0812	0,0913	0,1015	0,1116	0,1218	0,1319	0,1421	0,1624	0,2233	0,3045	0,3451
5000	0,0727	0,0848	0,0969	0,1090	0,1211	0,1332	0,1453	0,1574	0,1695	0,1938	0,2664	0,3633	0,4117
8000	0,1046	0,1220	0,1395	0,1569	0,1743	0,1918	0,2092	0,2266	0,2441	0,2790	0,3836	0,5230	0,5928

PULLEYS (for more details see our pulleys catalogue)



No. teeth	Dp	De	No. teeth	Dp	De
12	19,1	17,87	27	42,97	41,74
14	22,28	21,05	28	44,56	43,33
15	23,87	22,64	30	47,75	46,52
16	25,46	24,24	32	50,93	49,70
18	28,65	27,42	36	57,30	56,07
19	30,24	29,01	40	63,66	62,43
20	31,83	30,60	42	66,85	65,62
22	35,01	33,79	44	70,03	68,80
24	38,20	36,97	48	76,39	75,17
25	39,79	38,56	60	95,49	94,27
26	41,38	40,15	68	108,23	107,01

MEGAPOWER AT10

BELT CHARACTERISTICS

BELT WIDTH (mm)	10	12	16	20	25	32	50	75
PULLEY WIDTH B2 (mm)	15	17	21	25	30	37	56	80
BELT WEIGHT (gr/cm)	0,578	0,707	0,952	1,184	1,469	1,905	3,005	4,344

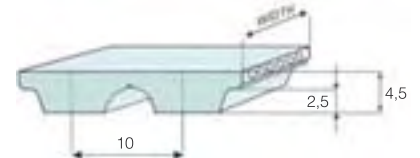
Standard compound: **Thermoset PU 88 ShA grey/green**

Standard cords: **Twisted Zinked Steel**

Standard width tolerance: **+/- 0,50 mm**

Standard thickness tolerance: **+/- 0,30 mm**

Special version belts on request, **see page 23**



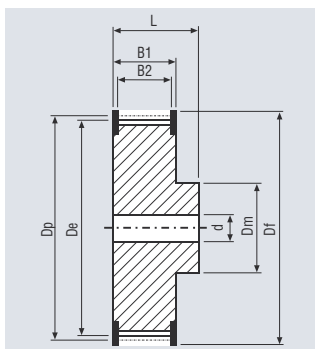
BELT LENGTHS AND TOLERANCES

Length (mm)	370	500	560	580	600	610	660	700	730	780	800	810	840	880	890	920	960	980	1000	1010
No. of teeth	37	50	56	58	60	61	66	67	73	78	80	81	84	88	89	92	96	98	100	101
Length tolerance (mm)	+/- 0,32 +/-0,36		+/- 0,42			+/- 0,48			+/- 0,56			+/- 0,64								
Length (mm)	1050	1080	1100	1150	1190	1200	1210	1220	1230	1240	1250	1280	1300	1320	1350	1360	1400	1420	1480	1500
No. of teeth	105	108	110	115	119	120	121	122	123	124	125	128	130	132	135	136	140	142	148	150
Length tolerance (mm)	+/- 0,64						+/- 0,76													
Length (mm)	1600	1630	1700	1720	1800	1860	1940													
No. of teeth	160	163	170	172	180	186	194													
Length tolerance (mm)	+/- 0,88																			

TRANSMITTABLE POWER (kW/cm of tooth in mesh)

n/z	15	18	20	22	24	26	28	30	38	42	48	54	60
100	0,0138	0,0166	0,0184	0,0203	0,0221	0,0240	0,0258	0,0276	0,0350	0,0387	0,0442	0,0498	0,0553
200	0,0251	0,0301	0,0335	0,0368	0,0402	0,0435	0,0469	0,0502	0,0636	0,0703	0,0804	0,0904	0,1004
600	0,0633	0,0759	0,0844	0,0928	0,1012	0,1097	0,1181	0,1266	0,1603	0,1772	0,2025	0,2278	0,2531
1000	0,0961	0,1154	0,1282	0,1410	0,1538	0,1666	0,1794	0,1923	0,2435	0,2692	0,3076	0,3461	0,3845
1500	0,1331	0,1597	0,1774	0,1952	0,2129	0,2307	0,2484	0,2661	0,3371	0,3726	0,4258	0,4791	0,5323
2000	0,0669	0,2003	0,2225	0,2448	0,2670	0,2893	0,3116	0,3338	0,4228	0,4673	0,5341	0,6009	0,6676
3000	0,2281	0,2737	0,3042	0,3346	0,3650	0,3954	0,4258	0,4562	0,5779	0,6387	0,7300	0,8212	0,9125
4000	0,2831	0,3397	0,3775	0,4152	0,4530	0,4907	0,5285	0,5662	0,7172	0,7927	0,9060	1,0192	1,1325
5000	0,3335	0,4002	0,4447	0,4891	0,5336	0,5781	0,6225	0,6670	0,8449	0,9338			
8000	0,4648	0,5578	0,6198	0,6818	0,7438	0,8057	0,8677	0,9297					

PULLEYS (for more details see our pulleys catalogue)



No. teeth	Dp	De	No. teeth	Dp	De
15	47,75	45,90	30	95,49	93,65
16	50,93	49,08	32	101,86	100,01
18	57,30	55,45	36	114,59	112,74
19	60,48	58,63	38	120,96	119,14
20	63,66	61,81	40	127,32	125,48
22	70,03	68,18	42	133,69	131,87
24	76,39	74,55	44	140,06	138,21
25	79,58	77,73	48	152,79	150,94
26	82,76	80,91	54	171,89	170,07
27	85,94	84,10	60	190,99	189,14
28	89,13	87,28			

MEGAPOWER FEASIBILITY TABLE

MEGAPOWER

	MXL	XL	L	H	T2	T2,5	T5	T10	T2,5DL	T5DL	T10DL	AT5	AT10
Min no. teeth pulley st. cords	10	10	15	14	10	10	10	12	10	10	12	15	15
Min outside idler dia	18	30	60	80	18	18	30	60	18	30	60	60	120
Min inside idler dia	20	30	60	60	20	20	30	60	20	30	60	25	50
Min no. teeth pulley HF cords	-	-	-	-	-	-	10	12	-	10	12	12	15
Min outside idler dia	-	-	-	-	-	-	30	50	-	30	50	40	80
Min inside idler dia	-	-	-	-	-	-	30	50	-	30	50	25	50
Min no. teeth pulley HP cords	-	-	-	-	-	15	15	15	-	-	-	25	25
Min outside idler dia	-	-	-	-	-	30	40	100	-	-	-	60	150
Min inside idler dia	-	-	-	-	-	30	60	100	-	-	-	40	80
Min no. teeth pulley HPF cords	-	-	-	-	-	-	12	14	-	-	-	20	16
Min outside idler dia	-	-	-	-	-	-	30	80	-	-	-	40	100
Min inside idler dia	-	-	-	-	-	-	30	80	-	-	-	40	60
Min no. teeth pulley kevlar cords	12	10	15	14	12	12	12	15	--	12	15	15	15
Min outside idler dia	20	30	60	80	20	20	30	60	-	30	60	60	120
Min inside idler dia	20	20	60	60	20	20	30	60	-	30	60	25	50
Min no. teeth pulley fiberglass cords	-	13	18	18	-	-	15	15	-	-	-	-	-
Min outside idler dia	-	35	65	90	-	-	40	70	-	-	-	-	-
Min inside idler dia	-	35	65	65	-	-	40	70	-	-	-	-	-
Min no. teeth pulley polyester cords	12	10	15	14	-	12	12	15	12	-	-	-	-
Min outside idler dia	20	30	60	80	-	20	30	60	20	-	-	-	-
Min inside idler dia	20	20	60	60	-	20	30	60	20	-	-	-	-
Min no. teeth pulley stainless steel cords	-	13	18	18	-	-	15	15	-	15	15	15	19
Min outside idler dia	-	35	65	80	-	-	40	70	-	40	70	65	110
Min inside idler dia	-	35	65	65	-	-	40	70	-	40	70	60	110
Steel cords	O	O	O	O	O	O	O	O	O	O	O	O	O
High Flexibility cords	X	X	X	X	X	X	M	M	X	M	M	M	M
High Performance cords	X	X	X	X	X	M	M	M	X	X	X	M	M
High Performance Flexibility	X	X	X	X	X	X	M	M	X	X	X	M	M
Kevlar cords	R	R	R	M	M	M	M	M	X	M	M	M	M
Fiberglass cords	X	R	M	M	X	X	M	M	X	X	X	X	X
Polyester cords	M	M	M	M	M	M	M	M	M	X	X	X	X
Stainless steel cords	X	M	M	M	X	X	M	M	X	M	M	M	M
Pu yellow coating 50 ShA cover	M	M	M	M	M	M	M	M	X	X	X	M	M
Porol mousse 10 ShA cover	M	M	M	M	M	M	M	M	X	X	X	M	M
Linatex 42 ShA cover	M	M	M	M	M	M	M	M	X	X	X	M	M
Tenax 40 / 45 ShA cover	M	M	M	M	M	M	M	M	X	X	X	M	M
White alimentary rubber 70 ShA cover	M	M	M	M	M	M	M	M	X	X	X	M	M
Neoprene rubber 70 ShA cover	M	M	M	M	M	M	M	M	X	X	X	M	M
Gummy correx 48 ShA cover	M	M	M	M	M	M	M	M	X	X	X	M	M
NBR 70 ShA cover	M	M	M	M	M	M	M	M	X	X	X	M	M
Hypalon 60 ShA cover	M	M	M	M	M	M	M	M	X	X	X	M	M
Honey comb 45 ShA cover	M	M	M	M	M	M	M	M	X	X	X	M	M

O = Ex stock

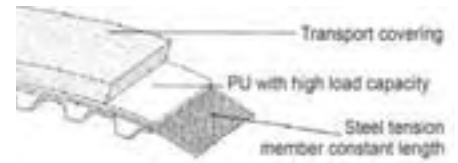
R = On request without minimum quantity

M = On request with minimum quantity

X = Not available

COATINGS AND COVER PROPERTIES

Megapower timing belts can be coated with several materials on the back side to obtain specific properties required (higher friction coefficient, higher abrasion resistance, higher oil resistance, etc.).



	Cover type										
	Porol mousse	Linatex	Tenax 40	Tenax Standard	White Rubber for food industry	Neoprene	Gummy Correx ambra parablond	NBR	Hypalon	Honeycomb	Foamed polyurethane
Raw material	open cell neoprene rubber	natural rubber	natural rubber	natural rubber	synthetic rubber	synthetic rubber	natural rubber	nitrilic rubber	rubber	natural rubber	foamed polyurethane
Hardness (ShA)	10	42	40	45	70	70	48	70	60	45	50
Colour	black	red	red	red	white	gray/black	light brown	white	white	red	yellow/gray
Coating and belt cohesion method	by gluing	by gluing	by vulcanization	by vulcanization	by vulcanization	by vulcanization	by vulcanization	by vulcanization	by vulcanization	by gluing	by spray
Thickness range (mm)	2 till 15	0,8 till 15	0,8 till 15	0,8 till 15	0,8 till 15	0,8 till 15	0,8 till 15	0,8 till 15	0,8 till 15	4,5	0,5 till 8
Tolerance on coating thickness	+/- 0,3	+/- 0,3	+/- 0,3	+/- 0,3	+/- 0,3	+/- 0,3	+/- 0,3	+/- 0,3	+/- 0,3	+/- 0,5	+/- 0,3
Working temperature range (°C)	-10 +60	-20 +50	-20 +60	-20 +60	0 +120	-10 +100	-20 +60	0 +120	0 +160	-20 +60	-20 +60
Friction coefficient ⁽¹⁾	0,7	0,75	0,75	0,7	0,65	0,6	0,6	0,6	0,6	0,6	0,4
Water resistance	good	very good	very good	very good	good	very good	very good	good	good	very good	good
Abrasion resistance	intermediate	very good	very good	very good	intermediate	good	very good	intermediate	intermediate	very good	very good
Oil resistance	intermediate	low	low	low	good	good	low	good	good	low	very good
FDA approved	no	no	no	no	no	no	no	no	no	no	no
Min. pulley dia = coating thickness	x 25	x 30	x 30	x 30	x 35	x 35	x 30	x 35	x 35	x 30	x 25

(1) Static average values for steel guides.



SPECIAL EXECUTIONS

COLOUR

On customer request and with a minimum quantity is possible to produce Megapower with several colours. Different colour doesn't influence belt technical properties so mechanical features are same as standard grey/green belt.

MECHANICAL REWORK

Megadyne have been producing specialized belting for many years. Our in-house facilities enable us to produce belts with special holes for vacuum applications, belts with special backings/grounds finishes for high tolerance applications. We can remove individual teeth and perforate the timing belt as required.

BACK GRINDING

A belt back can be ground to achieve a precise belt thickness as an adjunct to precision drives. When belt back grinding to a tolerance is required, the total thickness, including the tooth, must be specified. A grinding tolerance of $\pm 0,2$ mm is achievable with a level finish (i.e. thickness will not vary greatly around the belt).

LONGITUDINAL REWORK

Longitudinal rework along the belt back is possible on covered and uncovered belts. The profile can be machined precisely for required function. The measurement is given as the depth on the belt back. Most widths and lengths are available.

REWORK ON BELT TEETH

The rework of the tooth profile can be very useful, i.e. improving the steering effect with guide rails. The rework dimension is given from the top of the tooth.

HOLES IN TIMING BELTS

Holes in timing belts can be for vacuum or air film conveying or as clearance for assembly mechanisms. Stops and cams can be attached through the holes. Customized tooling may be required depending on the layout and dimensions of holes required.

SINGLE TOOTH REMOVAL

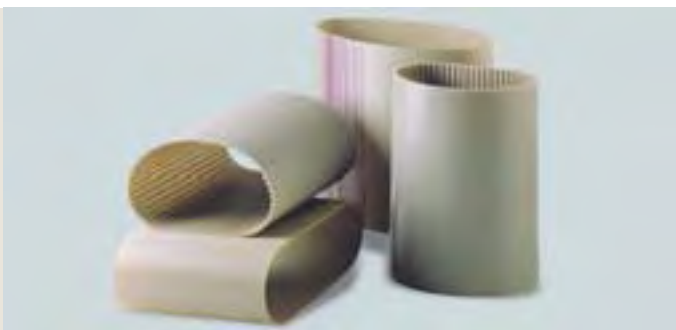
Single and multiple tooth removal is available to your requirement, for applications in handling and conveying technology.



SPECIAL EXECUTIONS PHOTOS

Belts and sleeves

Customer can choose the right Megapower depending on his business features: belts are finished and ready to use, while sleeves can be stored and cut at requested width by end-users



Special profiles

Megapower belts can be manufactured on customer request also with pitch T2, RPP3, RPP8, STD3, MTD5



AT20 for high power

Megapower belts are available also in AT20 pitch, with standard or special cords, to work in very high power transmission applications



Directly moulded special cleats

Special cleats and flat profiles can be directly moulded with the belt, being a part of it and giving higher mechanical characteristics



Tracking belts for lifts

Custom design moulded belt, with high strength capacity and helical special teeth, high coefficient of friction and very low noise level, used as tracking belts in lift applications



Vacuum applications

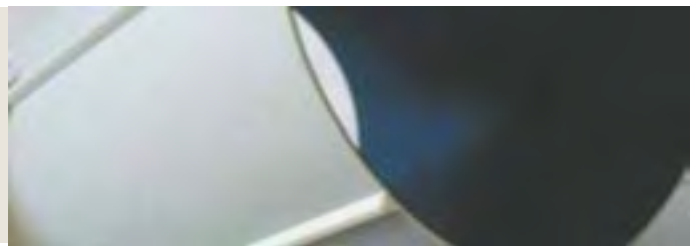
Megapower belts for vacuum applications, coated with Tenax or other coatings, with grinded teeth, holes and slots (perpendicular or sloping) for vacuum transmission

**Packing industry**

Particular Megapower with directly moulded carriers and pushers, engineered to meet very special customer requests

**Special carriers**

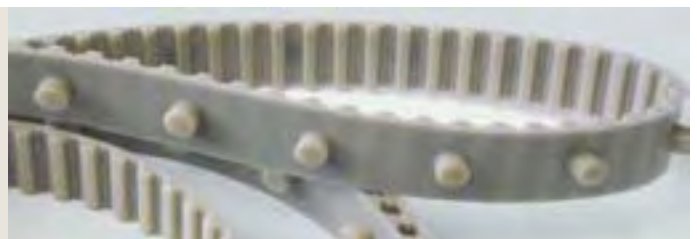
Megapower customised belt with directly moulded couriers, developed following customer design

**Office automation**

Megapower belt with special moulded cleats, typically used in office automation and printing machines

**Carding machines**

Special moulded belt with cylindrical cleats, used in textile industry

**Textile industry**

Special moulded belt used in textile industry, manufactured in red or in blue polyurethane

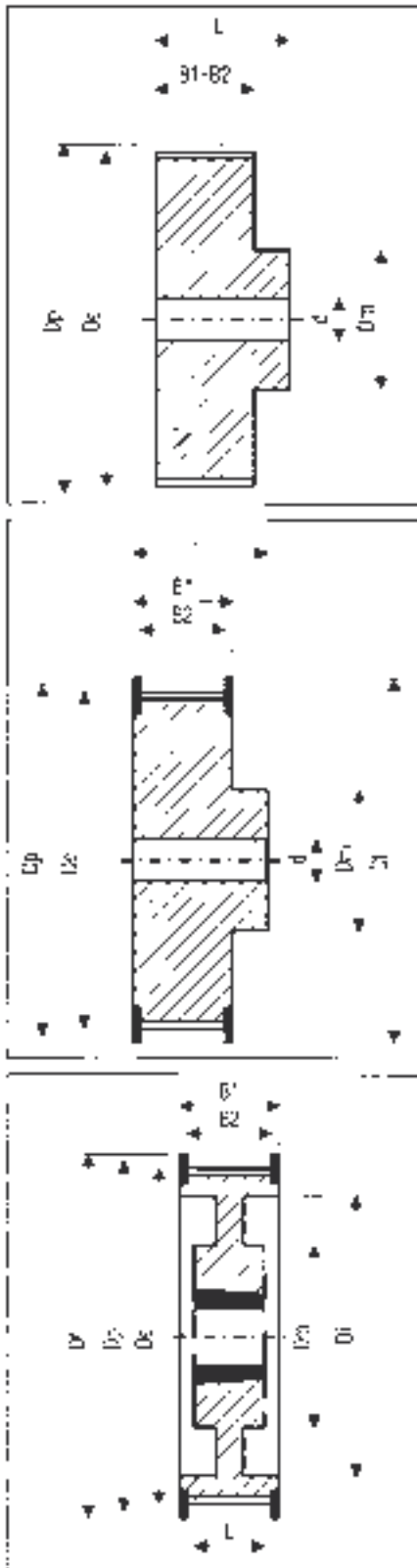


PULLEYS AND TIMING BARS

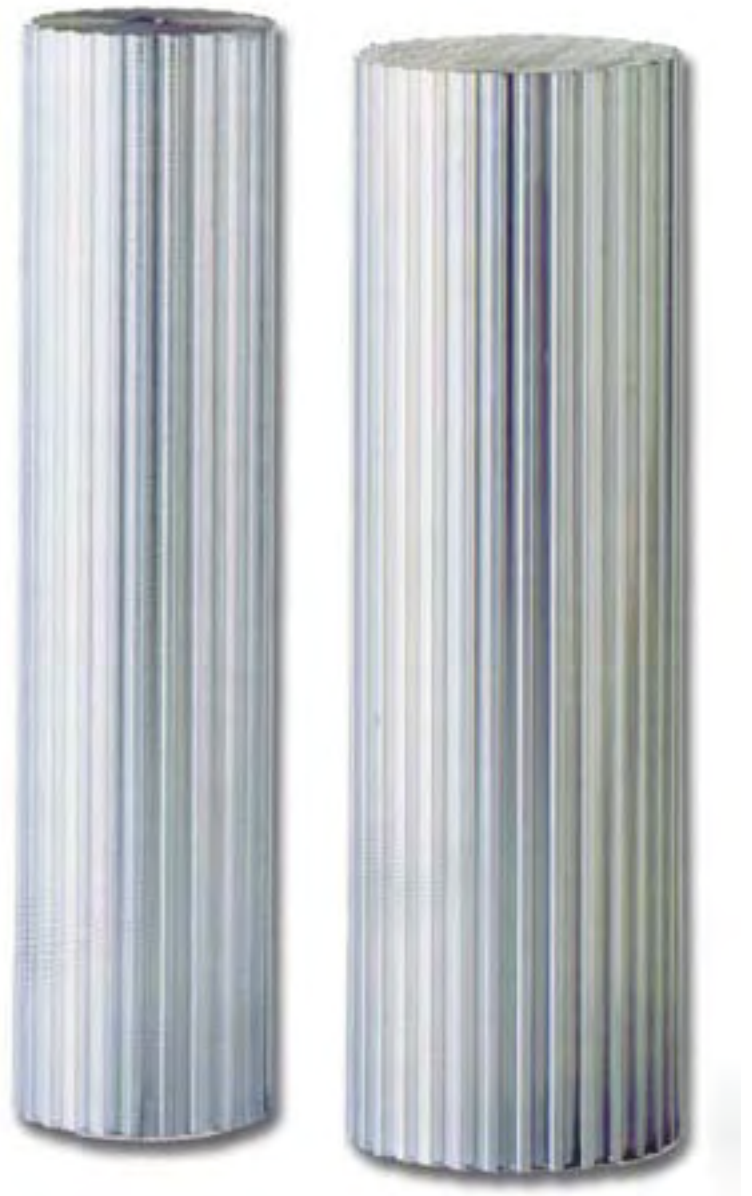


Pulleys can be provided both in standard design, according to ISO specifications, and engineered on customer requests.

Manufactured in aluminium, steel and cast iron, Megadyne pulleys are available with or without steel flanges and surface treatment.



Imperial	MXL XL L H XH XXH HG
HTD	3M 5M 8M 14M
METRIC	T2.5 T5 T10 T20 AT3 AT5 AT10 AT20 TG5 TG10 TG20 ATG10
RPP	RPP5 RPP8 RPP14



USEFUL FORMULAS AND CONVERSION TABLE

SPEED

$$V = \frac{d_1 \cdot n_1}{19100}$$

$$n_1 = \frac{V \cdot 19100}{d_1}$$

$$d_1 = \frac{V \cdot 19100}{n_1}$$

V: peripheral speed [m/s]
n₁: rotation speed [RPM]
d₁: pulley diameter [mm]

FORCES AND TORQUE

$$F_u = \frac{19,1 \cdot 10^6 \cdot P}{d_1 \cdot n_1}$$

$$F_u = \frac{2000 \cdot M_t}{d_1}$$

$$F_u = \frac{P \cdot 10^3}{d_1}$$

F_u: peripheral force [N]
M_t: drive torque [Nm]
P: power [kW]
n₁: rotation speed [RPM]
d₁: pulley diameter [mm]
V: peripheral speed [m/s]

$$M_t = \frac{P \cdot 9550}{n_1}$$

$$M_t = \frac{F_u \cdot d_1}{2000}$$

$$M_t = \frac{P \cdot d_1}{2 \cdot V}$$

POWER

$$P = \frac{F_u \cdot d_1 \cdot n_1}{19,1 \cdot 10^6}$$

$$P = \frac{M_t \cdot n_1}{9550}$$

$$P = \frac{F_u \cdot V}{1000}$$

P: power [kW]
F_u: peripheral force [N]
M_t: drive torque [Nm]
n₁: rotation speed [RPM]
d₁: pulley diameter [mm]

To convert from	to	multiply by
CV	HP	0,9863201
CV	kcal/h	63,24151
CV	W	735,4988
CV	kW	0,7354988
CV	kgf ↔ m/s	75
CV	lbf ↔ ft/s	542,476
HP	CV	1,01387
HP	kcal/h	641,1865
HP	W	745,6999
HP	kW	0,7456999
HP	kgf ↔ m/s	76,04022
HP	lbf ↔ ft/s	550
in	m	0,0254
in	cm	2,54
in	mm	25,4
in	ft	0,083
in ²	m ²	0,00064516
in ²	cm ²	6,4516
in ²	mm ²	645,16
in ²	ft ²	0,006944444
in ³	m ³	1,63871 · 10 ⁻⁵
in ³	cm ³	16,38706
in ³	mm ³	16387,06
in ³	ft ³	0,000578704

To convert from	to	multiply by
J	CV ↔ h	3,77673 · 10 ⁻⁷
J	HP ↔ h	3,72506 · 10 ⁻⁷
J	kWh	2,77778 · 10 ⁻⁷
kg	lb	2,204623
kgf	N	9,80665
kgf	lbf	2,204623
kgf ↔ m/s	CV	0,013333333
kgf ↔ m/s	W	9,80665
kgf ↔ m/s	kW	0,00980665
kW	CV	1,359622
kW	kcal/h	859,8452
kW	W	1000
kW	kgf ↔ m/s	101,9716
kW	lbf ↔ ft/s	737,5621
lb	kg	0,4535924
lb	kgf	0,4535924
lb	N	4,448222
N	kgf	0,1019716
N	lbf	0,2248089
W	CV	0,001359622
W	HP	0,001341022
W	kcal/h	0,8598452
W	kW	0,001
W	kgf ↔ m/s	0,1019716
W	lbf ↔ ft/s	0,7375621

NOTES

Lined area for taking notes.

The data given in this catalogue are updated at the day of printing and are not intended as a guarantee: Megadyne S.p.A. reserve the right to modify the characteristics of the belts described herein without any prior notice.

Printed by
Camedda & C. - Turin

Edition July 2008