

# Conveying Equipment | Super Capacity Bucket Elevators

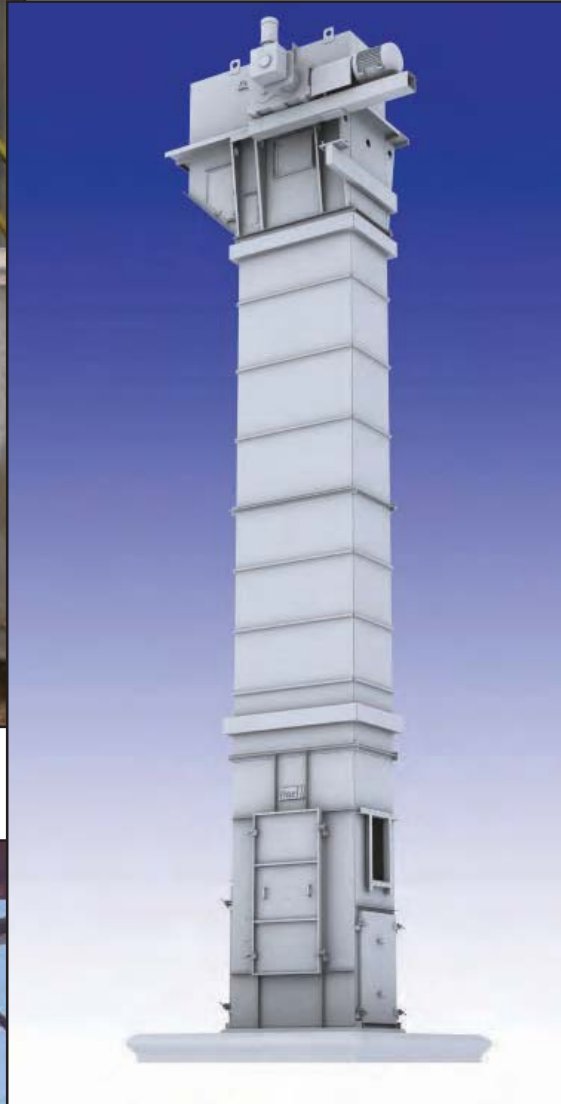
(English–Metric)



**REXNORD**



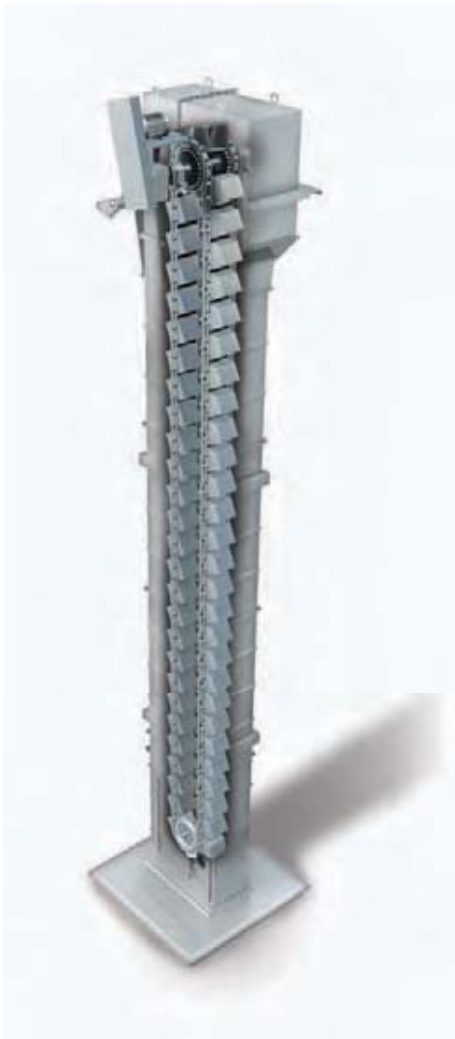
Large doors provide easy access for cleanout, inspection and maintenance.



Rexnord Super Capacity elevators can be designed and built with large platforms and hoist frames that allow for easy maintenance access.

Rexnord Super Capacity elevators can be designed to your needs of height and capacities.

# Rexnord® Super Capacity Elevators



## Table of Contents

2-3	Introduction
4	Elevator Series
5	Elevator Chains
6-7	Elevator Features
8	Selection Table #1
9	Selection Table #2 & #3
10	Bulk Material List
10	Selection Example
11	Elevator Dimensions
12	Inlet and Discharge Flanges
13-15	Elevator Components

The Rexnord “Super Capacity” bucket elevator offers the most modern line of heavy-duty, high bucket capacity elevators available today.

We combine the most advanced design with a complete selection to fit the need of almost any requirement, Rexnord Super Capacity bucket elevators are built to handle a wide range of bulk materials, such as fertilizer, cement clinker, coal, iron ore, shale or taconite pellets, to name a few.

All of the critical components –chain, sprockets, traction wheels, bearings, gear reducers, take-ups and buckets are designed

and manufactured by Rexnord, to Rexnord specifications and are designed to match your material handling requirements and to be operated dependably for years to come after commissioning.

With over 500 Super Capacity elevator installations throughout the world, Rexnord proves again that whenever there is a requirement for elevating large lump bulk material-or high volumes of material at slower speeds-there is a Rexnord Super Capacity elevator to do the job.

# Rexnord® Super Capacity Bucket Elevators

## 4000 Series



### Model 4000-01

#### One chain pitch per bucket

Rexnord 4000 series elevators have applications in bulk handling assignments with capacities up to 4700 CFH and lump sizes up to 6".

This model elevator utilizes 12" pitch super capacity buckets end hung on two strands of Rexnord 12" pitch all steel chain.

## 4100 Series



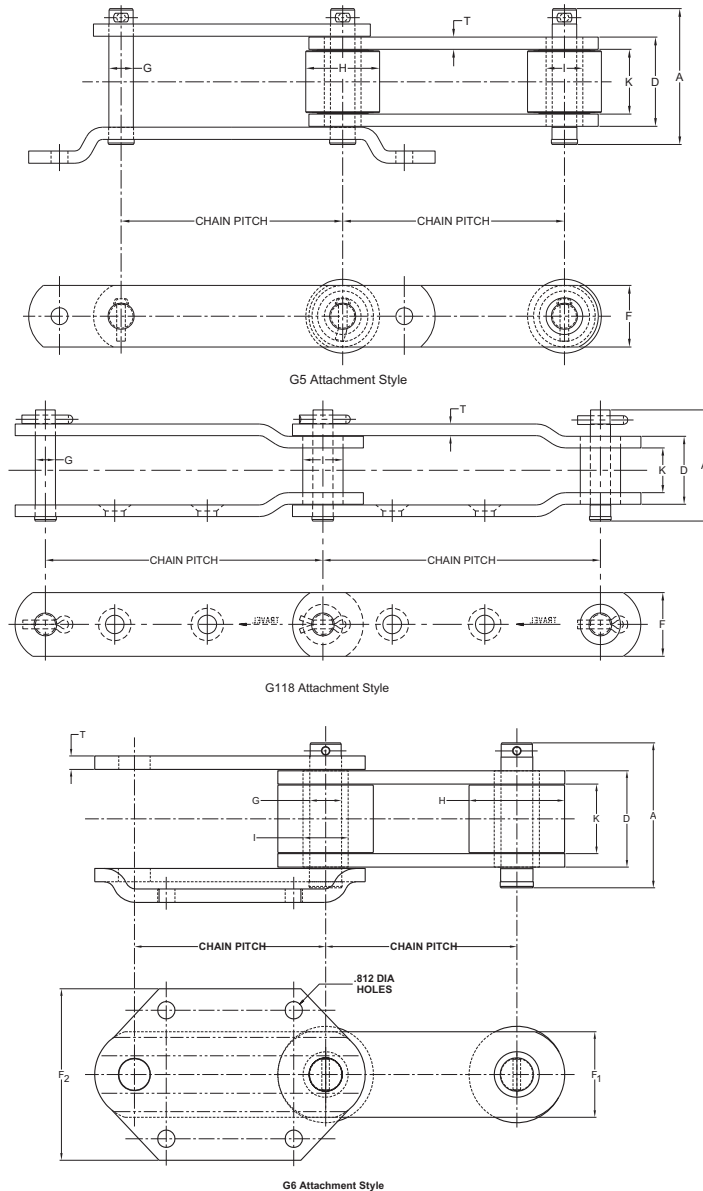
### Model 4100-01, 4100-03, 4100-04

#### Two chain pitches per bucket

Rexnord 4100 series elevators continue the Super Capacity line with capacities up to 19,800 CFH and lump sizes up to 8".

By continuously mounting our 18" pitch super capacity buckets with two strands of Rexnord 9" pitch all steel chain, we are able to increase speeds which translates into additional capacity.

# Rexnord® Super Capacity Chains



## 4000 Series Chain

The 4000 series chain is a 12" pitch chain and utilizes only one pitch per bucket. Rexnord's all-steel fabricated chains are precision built with high quality steel that incorporates advanced heat treating methods to prolong wear life. The chain is then matched in pairs for true dual performance with end hung buckets. It is furnished with G-118 attachments.

## 4100 Series Chain

The 4100 Series is a 9" pitch chain that utilizes 2 pitches per bucket. It has all of the features of the 12" pitch chain, but the shorter pitch permits higher speeds which means greater capacities. The 4100 series chain is furnished with either a G-5 or a G-6 attachment.

**Continuous Discharge Dual Strand Elevator Chain Dimensions**

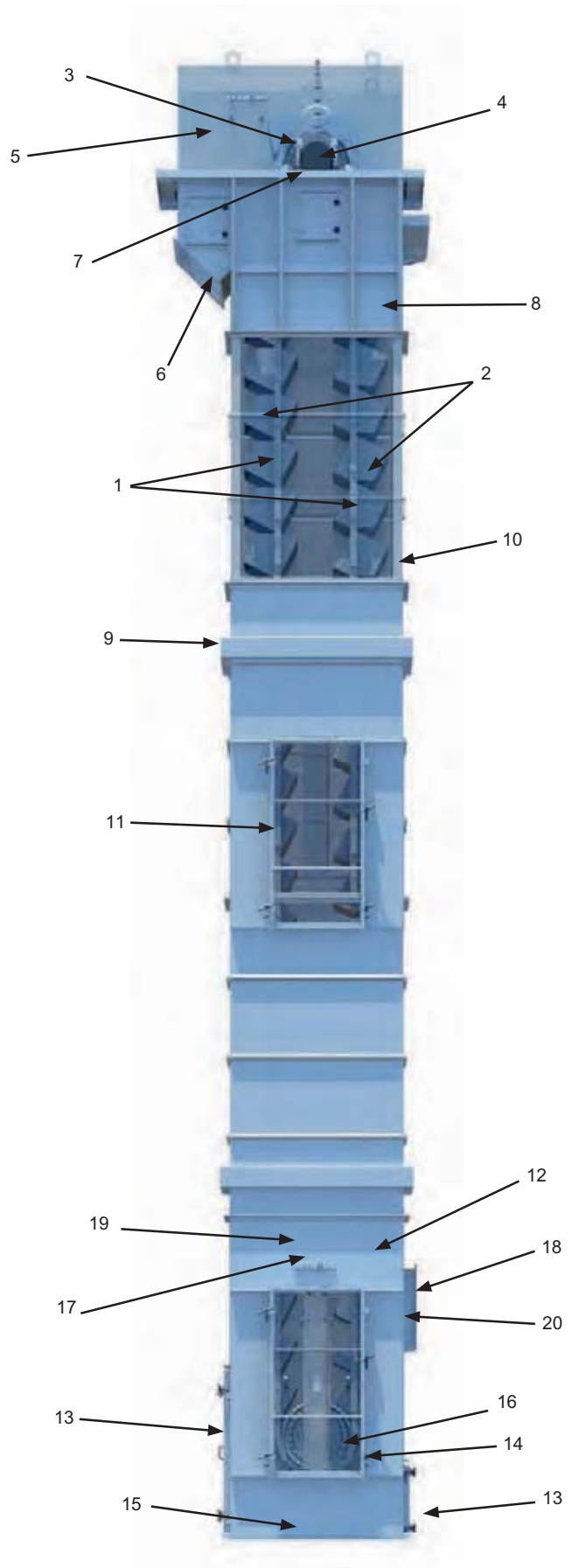
Chain Number	Pitch	A	K	T	Sidebars			Pins		Rollers		Bushings			Rated Working Load	Sprocket Number
					F	F2	Heat Treat	G	Heat Treat	H	Heat Treat	D	I	Heat Treat		
R4251-G118	12.00	4.63	1.94	0.50	2.00		TH	0.88	CARB	1.75	CARB	2.94	1.25	CARB	9,000	4251
	305	118	49.3	12.7	50.8			22.4		44.5		74.7	31.8		40,000	
R4004-G5	9.00	5.69	2.63	0.50	2.50		TH	1.00	CIH	3.00	CARB	3.63	1.50	CARB	12,700	4004
	229	145	66.8	12.7	63.5			25.4		78.2		92.2	38.1		56,500	
R4065-G5	9.00	6.16	3.06	0.63	3.50		TH	1.25	CIH	4.25	CARB	4.31	2.00	CARB	18,900	4065
	229	156	77.7	16	88.9			31.8		108		109	50.8		84,000	
R4037-G6	9.00	6.79	3.25	0.62	4.00	8.00	TH	1.50	CIH	4.50	CARB	3.25	2.12	CARB	29,500	4037
	229	172.5	82.55	17.75	101.6	203.20		38.1		114.3		82.55	53.85		131,255	

R4251-G118 has .81 inch diameter countersunk bolt holes  
 TH: Thru-Hardened CIH : Circumferentially Hardened  
 after thru-hardening CARB: Carburized  
 Dimensions and working loads are shown in inches and pounds.  
 Red dimensions and working loads are in millimeters and newtons.

Dimensions are subject to change.  
 Certified drawings available upon request

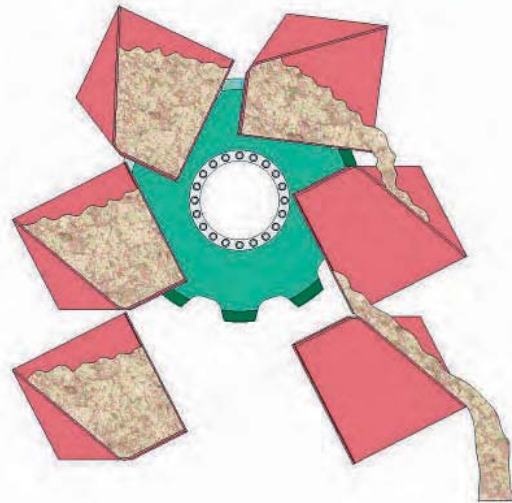
## Rexnord® Super Capacity Elevator Features

1. Two strands of Rexnord all steel precision roller type chain for end hung buckets
2. Rexnord style Super Capacity welded steel hi-load buckets
3. Matched, hardened steel sprockets aligned for positive drive action
4. Rexnord double row spherical roller bearing pillow blocks
5. Twelve-gauge steel split upper head section
6. Stub discharge spout of #7 GA steel with adjustable rubber discharge lip
7. Headshaft bearing supports integral with lower head section
8. Lower head section of ¼" steel plate
9. Intermediate casing made of #10 GA. Steel with deep beaded crimps for stiffness. Attached to adjoining structures at approximately 20 foot centers for sway bracing
10. Self supporting corner angle construction
11. Intermediate hinged type access door (optional)
12. Boot section on ¼" steel plate
13. Large front and rear clean out and access panels
14. Large double hinged access doors with "speed ball" handles
15. Flanged bottom for complete bearing on foundation
16. Hardened steel segmental rim traction wheels with solid steel bodies
17. Counterweighted internal gravity take-up
18. Flanged inlet opening for easy connection to loading chute
19. Take-up removal beam in boot section for servicing internal gravity take-up
20. Loading leg integral with boot



# Rexnord® Super Capacity Bucket Elevators Built to Quality Manufacturing Specifications

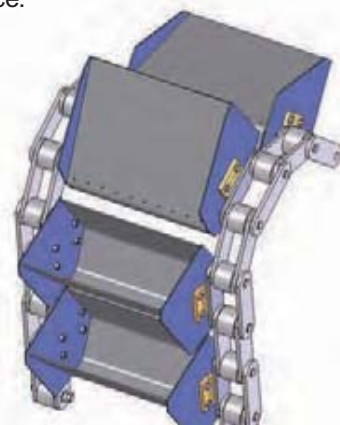
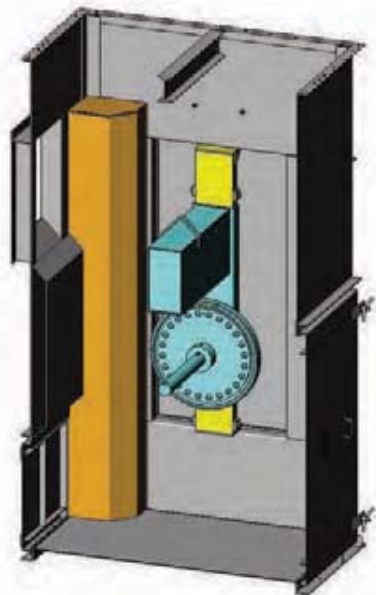
The elevator casings are welded on precision fixtures, dust-tight and braced in each corner with vertical corner angles that provide vertical support and assure a square, plumb construction for ease of erection in the field.. They also include a 10 gauge casing enclosure for local dust removal in the intermediate sections and a 0.25-inch thick steel in the boot and lower head sections, plus deep continuous welds help to provide dust and weather tightness. The boot sections can be manufactured of either carbon steel or stainless steel, used to resist corrosion from frequent washdowns. They can also be manufactured with a custom surface preparation to customer specifications.



Terminal casings (both head and boot) can be shop fitted with machinery in place before shipment.

As the material is charged into an elevator, it flows directly into the upgoing strand of buckets through the use of “loading legs” within the boot section, which help funnel the product into the bucket. Rexnord Super Capacity buckets are manufactured of heavy gauge steel on precision welding fixtures assuring bucket uniformity. Deep continuous welds assure high strength for the most severe service conditions. The buckets are mounted in a unique overlapping style to enable continuous filling of the buckets. The buckets are designed to discharge the material so it cascades off the preceding bucket, which directs the material out of the elevator during discharge.

These elevators are driven by timed and matched head sprockets and guided by traction wheels on the foot shaft assembly, which is mounted to a gravity take-up arrangement that will internally adjust for slight chain elongation during the entire chain life without any manual maintenance.



**Table 1 - Elevator Selection**

Capacity* Cu. Ft/Hour		2300	3500	4700	6500			8100			9800			12300			14800			17300			19800					
Max. Lump Size		3	4	6	4			6			7			8			8			8			8					
Rexnord Elevator No.		4012	4018	4024	4116			4120			4124			4130			4136			4142			4148					
		01	01	01	01	03	04	01	03	04	01	03	04	01	03	04	01	03	04	01	03	04	01	03	04			
**Maximum Allowable Centers in Feet	50 P.C.F.	200	179																									
		175																										
		150																										
		125		140			150	On Application	On Application	131	142	On Application		135	On Application			135										
		100			114									116				117		103	125			115			107	
		75															96			83				91			82	
		50																				73				64		
		25																										
	75 P.C.F.	200																										
		175																										
		150		157																								
		125					126	149	On Application		130	142			135													
		100			118					107				114				122		107								
		75				94							93			76	95		82				95			85		
		50																64			55	71			63			
		25																						48				
	100 P.C.F.	200																										
		175																										
		150																										
		125		138				129	142			140																
		100			100		107				111			124			104											
		75				78				90			77	96				79		90								
		50													62								78					
		25																51	67		44	58		37	51	69		
	125 P.C.F.	200																										
		175																										
		150																										
		125										140																
		100		123									124		108													
		75			87		88			77	97				83			90										
		50				67								65		51	67			56	77			66				
		25																42			35	48		32	41	58		

\*Capacities are based on buckets filled to 75% of catalog rating

\*\*Maximum allowable centers shown are for standard models only.

Other combinations of chain, buckets, casing construction, service factors, etc., permit higher centers. Consult Rexnord.



**Table 2 - Elevator Specifications**

Rexnord Elevator Number	Chain Number	Nominal Speed F.P.M.	Bucket*		Headshaft		Footshaft		Casing Size	
			Nominal Size	Spacing	Sprocket T.-PD.	RPM	Wheel Diameter	Diameter		
4012	-01	4251 -G118	100	12 x 9 x 12	12	23T – 30.12	12.5	29	2.9375"	30 x 55.50
4018	-01	4251 -G118	100	18 x 9 x 12	12	23T – 30.12	12.5	29	2.9375"	37 x 55.50
4024	-01	4251 -G118	100	24 x 9 x 12	12	23T – 30.12	12.5	29	2.9375"	41.50 x 55.50
4116	-01	R4004-G5	135	16 x 13 x 18	18	10T-29.12	18	26	2.9375"	37 x 64
	-03	R4065-G5								
	-04	R4037-G6								
4120	-01	R4004-G5	135	20 x 13 x 18	18	10T-29.12	18	26	2.9375"	41.50 x 64
	-03	R4065-G5								
	-04	R4037-G6								
4124	-01	R4004-G5	135	24 x 13 x 18	18	10T-29.12	18	26	2.9375"	47.50 x 64
	-03	R4065-G5								
	-04	R4037-G6								
4130	-01	R4004-G5	135	30 x 13 x 18	18	10T-29.12	18	26	2.9375"	53.50 x 64
	-03	R4065-G5								
	-04	R4037-G6								
4136	-01	R4004-G5	135	36 x 13 x 18	18	10T-29.12	18	26	2.9375"	59.50 x 64
	-03	R4065-G5								
	-04	R4037-G6								
4142	-01	R4004-G5	135	42 x 13 x 18	18	10T-29.12	18	26	2.9375"	65.50 x 64
	-03	R4065-G5								
	-04	R4037-G6								
4148	-01	R4004-G5	135	48 x 13 x 18	18	10T-29.12	18	26	2.9375"	71.50 x 64
	-03	R4065-G5								
	-04	R4037-G6								

\*All Super Capacity buckets in standard models are fabricated in #7 gauge steel – other thicknesses available on application.

**Table 3 - Elevator Specifications**

MODEL NO.	CHAIN NO	CHAIN WT #/F.T.	BK WID INCHES	BK CAP WL.	BK WT LBS.	CASING INCHES	Maximum Lump Size (inches)	"Cubic feet per hour CFH**"	"Short ton per hour STPH at 50 PCF"	"Short ton per hour STPH at 75 PCF"	"Short ton per hour STPH at 100 PCF"	"Short ton per hour STPH at 125 PCF"	
4012	-01	4251 -G118	13.00	12.00	0.36	29	30 x 55 1/2	3.00	2,300	58	86	115	144
4018	-01	4251 -G118	13.00	18.00	0.55	37	37 x 55 1/2	4.00	3,500	88	131	175	219
4024	-01	4251 -G118	13.00	24.00	0.74	46	41 1/2 x 55 1/2	6.00	4,700	118	176	235	294
4116	-01	R4004-G5	18.5	16.00	1.09	58	37 x 64	4.00	6,500	162	243	324	405
	-03	R4065-G5	37.5										
	-04	R4037-G6	47.8										
4120	-01	R4004-G5	18.5	20.00	1.38	66	41.50 x 64	6.00	8,100	205	307	410	512
	-03	R4065-G5	37.5										
	-04	R4037-G6	47.8										
4124	-01	R4004-G5	18.5	24.00	1.65	75	47.50 x 64	7.00	9,800	245	368	491	614
	-03	R4065-G5	37.5										
	-04	R4037-G6	47.8										
4130	-01	R4004-G5	18.5	30.00	2.08	88	53.50 x 64	8.00	12,300	309	463	618	772
	-03	R4065-G5	37.5										
	-04	R4037-G6	47.8										
4136	-01	R4004-G5	18.5	36.00	2.50	105	59.50 x 64	8.00	14,800	371	557	743	928
	-03	R4065-G5	37.5										
	-04	R4037-G6	47.8										
4142	-01	R4004-G5	18.5	42.00	2.90	118	65.50 x 64	8.00	17,300	431	646	861	1077
	-03	R4065-G5	37.5										
	-04	R4037-G6	47.8										
4148	-01	R4004-G5	18.5	48.00	3.32	131	71.50 x 64	8.00	19,800	493	740	986	1233
	-03	R4065-G5	37.5										
	-04	R4037-G6	47.8										

Typical Materials handled in Rexnord 4000-4100 series Super Capacity bucket elevators\*

Material	Unit Wt. lbs. cubic ft.
Alum, lumpy	50-60
Asbestos ore or rock	81
Bauxite, mine run	80-90
Bauxite, crushed	75-85
Bentonite, crude	34-40
Borax, lump	60-65
Carbon black, pelletized	20-25
Cement, Portland, aerated	60-75
Cement, clinker	75-95
Cement rock (also see limestone)	106-110
Chalk, lumpy	75-85
Charcoal	18-25
Clay, dry, lumpy	60-75
Coal, anthracite	60
Coal, bituminous, fines	50-54
Coal, bituminous, 1/2	43-50
Coal, bituminous, run of the mine	45-55
Coal, lignite	40-45
Coke, loose	23-35
Coke, petroleum, calcined	35-45
Dolomite, lumpy	90-100
Earth, excavated, dry	70-80
Feldspar, to 3" lumps	90-110
Fluorspar, to 3" lumps	110-120
Granite, broken	95-100
Gypsum, to 3" lumps	70-80
Ilmenite ore	140
Iron Ore	100-200
Iron ore, crushed	135-150
Lime, ground	60
Limestone, crushed	85-90
Phosphate, acid, fertilizer	60
Phosphate rock	75-85
Phosphate, Florida	93
Pyrites, to 3" lumps	135-145
Pyrites, pellets	120-130
Quartz, to 3" lumps	85-95
Sandstone, broken	85-90
Shale, broken	90-100
Shale, crushed	85-90
Slag, blast furnace	80-90
Slag, blast furnace, granular, dry	60-65
Slate, to 3" lumps	85-95
Soda ash, heavy	55-65
Soda Ash, light	20-35
Taconite pellets	116-130
Traprock, to 3" lumps	100-110
Trisodium phosphate, granular	60
Triple Super Phosphate	50-55
Zinc Ore, crushed	160

\*Rexnord Super Capacity bucket elevators are capable of handling a wide variety of free flowing materials with lump sizes up to 8". Consult Rexnord for units handling materials not listed above or with lump sizes greater than 8".

### Selection example

**Given:** 400 TPH of limestone rock  
 90#/cu. Ft., maximum lump 6"  
 90'-0" centers  
 8 hour per day service – 250 days per year normal loading conditions

Required: Select basic elevator with drive

Give specifications and basic dimensions

**Step 1:** Convert given capacity into cu. Ft./hour  
 $400\text{TPH} \times 2000 = 8889 \text{ cu. Ft./hour}$   
 90 lbs./cu ft.

**Note:** All elevators are volumetric machines with constant capacity ratings of any unit in cu. Ft./hour. The capacity of any given unit, in tons/hour, varies with density

**Step 2:** Refer to table #1 on page 8

- a) reading down the top of the chart, the nearest capacity rating (CFH) which meets requirements is 9800 cu. Ft./hour
- b) Check column for maximum lump size in this category. The 7" maximum allowable indicates that all units in this category meet the requirement. Elevator is now selected as 4124-01, 4124-03, 4124-04.
- c) Using the same table, find the 90'-0" elevator center requirement in the left hand columns in the 100 PCF material category. Project a straight line to the right across the chart until a colored bar in the 4124 series column is intercepted. This unit is now read as a 4124-03 Rexnord Super Capacity elevator.

**Step 3:** Refer to table #2 on page 9

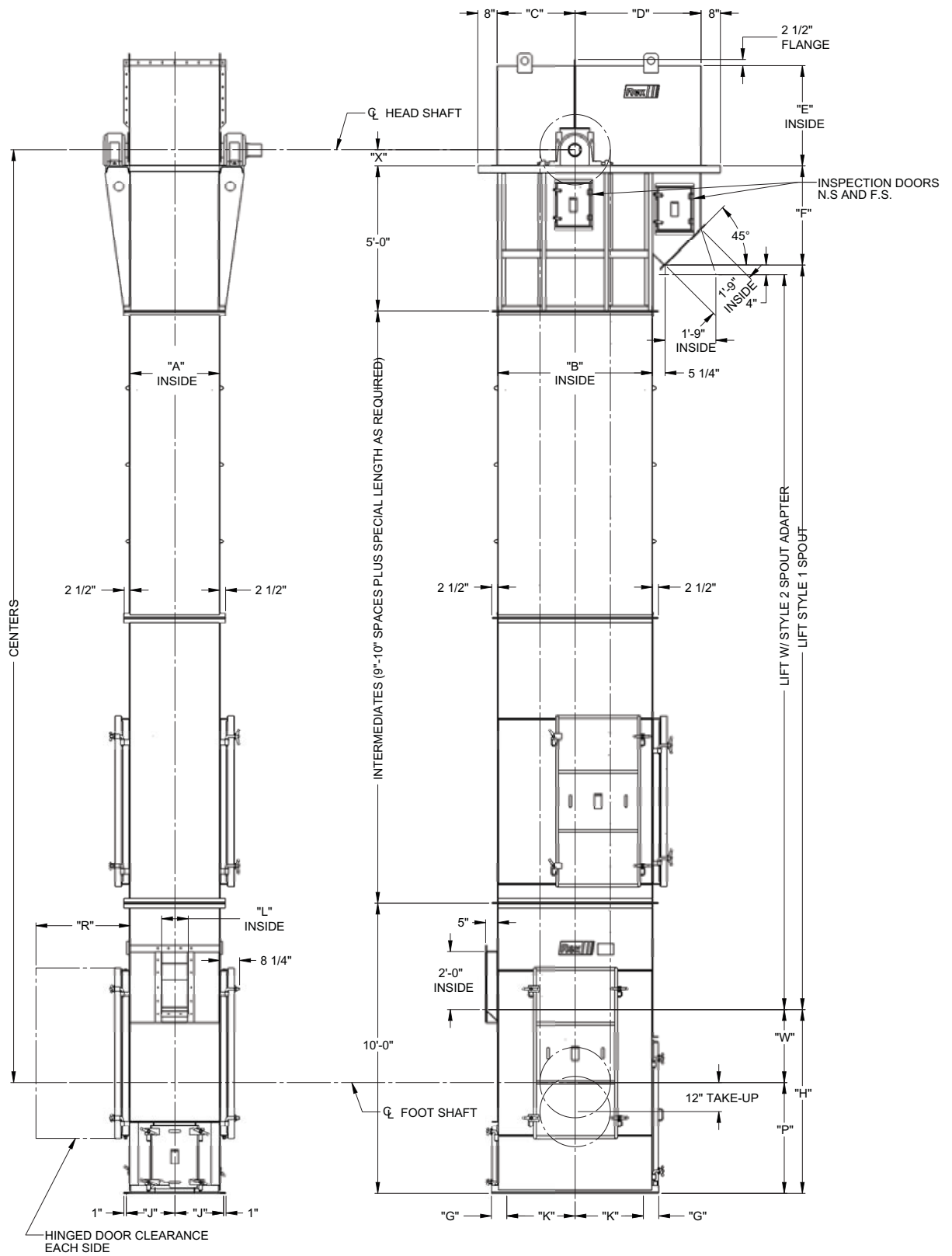
Tabulate elevator specifications as follows:  
 Rexnord 4124-03 elevator 4065-G5 chain

Elevator speed = 135 FPM  
 24" x 13 1/8 x 18 style (HL) #7 GA fabricated steel buckets  
 Spacing = 18'  
 10T head sprockets @ 18 RPM  
 26" foot traction wheels on 2 15/16 diameter shaft  
 Casing size = 47 1/2" x 64"

**Step 4:** For elevator dimensions including the flange connections refer to pages 11 and 12.

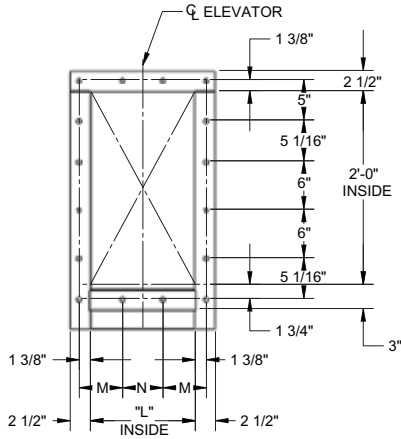


# Dimensions for Rexnord® Super Capacity



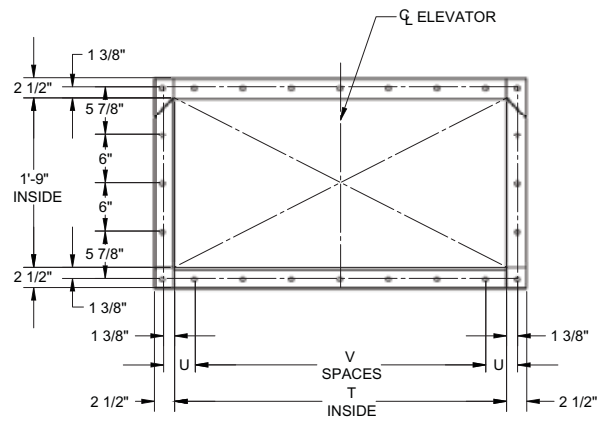
CATALOG DIMENSIONS SUBJECT TO CHANGE OR CORRECTION. PLEASE REQUEST CERTIFIED LAYOUT DRAWING FOR CURRENT OR EXACT DIMENSIONS.

# Super Capacity Casing Dimensions



**INLET CONNECTION**

ALL HOLES ARE 9/16" DIAMETER



**STYLE 1 AND 2  
DISCHARGE CONNECTION**

## Casing Dimensions - Inches

Elevator Number	Casing Size		C	D	E	F	G	H	J	K	L	M	N	P	R	S	T	U	V
	A	B																	
4012-01	24								13 3/4		8	5 3/8	0				23 5/8	3 3/16	4 @ 5
4018-01	30	55 1/2	28	47 7/8	34 1/2	39 1/2	6 1/2	67	16 3/4	24	12	4 7/8	1 @ 5	42	42 7/8	9 13/16	29 5/8	3 11/16	5 @ 5
4024-01	37								20 1/4		16	4 3/8	2 @ 5				36 5/8	2 3/16	7 @ 5
4116-01, 03, 04	37								18 5/8		11	4 3/8	1 @ 5				33 5/8	3 3/16	5 @ 6
4120-01, 03, 04	41 1/2								20 1/8		13	5 3/8	1 @ 5				36 5/8	2 3/16	7 @ 5
4124-01, 03, 04	47 1/2								22 3/8		16	4 3/8	2 @ 5				41 1/8		6 @ 6
4130-01, 03, 04	53 1/2	64	32 1/4	52 1/8	41 1/2	41	6 3/8	76	25 3/8	28 1/4	20	5 3/8	2 @ 6	45	38 7/8	7 13/16	47 1/8		7 @ 6
4136-01, 03, 04	59 1/2								28 3/8		24	4 3/8	3 @ 6				53 1/8	3 15/16	8 @ 6
4142-01, 03, 04	65 1/2								31 3/8		28	3 3/8	4 @ 6				59 1/8		9 @ 6
4148-01, 03, 04	71 1/2								34 3/8		32	5 3/8	4 @ 6				65 1/8		10 @ 6

## INLET AND DISCHARGE CONNECTIONS

- All Inlet locations are positioned for proper material feed to the elevator.
- All discharge locations are oriented to allow for proper material discharge utilizing Rexnord Material handling expertise.
- Flanged connections will allow for easy site connection to both the inlet and discharge.

The inlet and discharge zones can be lined with AR plate for some applications when needed.

## CASING CONSTRUCTION

- All intermediate casings are #10 gauge. Extra heavy casings available on application.
- Dust and weather tightness of casing is accomplished by application of compound to all flanges during field erection.
- All Rexnord Super Capacity elevators are furnished with sealant compound in cartridges.

## Rexnord® Components.....Matched for high performance



### Head Sections

Rexnord Super Capacity elevators design in a split, removable head section manufactured of #12 gauge steel with dust seals to seal shaft openings. This design also incorporates channels that ring the lower head section to help form headshaft bearing support helping to insure proper bearing life and maximum machinery life. Our lower head section casings are all jig welded and are fabricated from 1/4" steel with heavy structural stanchions under the bearing support ring. The discharge chute is fabricated of #7 gauge steel with a 3/8" bottom plate for wear resistance. The Head section also includes as a standard, easy inspection doors for discharge lip inspection and maintenance

### Self-Aligning Roller Bearings

Rexnord is able to design and use our own line of heavy-duty double row spherical roller bearings. Our unique design combines the advantages of low rolling friction of the ball with the high load-carrying capacity of a roller. The exclusive micro-lock feature allows in-field adjustment for maximum bearing life and the use of the Rexnord "Z" seal as a standard, helps to compensate for misalignment and to seal out dirt and grease.



### Clawmaster Chain Assembly Tool

The newly designed Clawmaster Chain assembly tool – Keep the advantage of the high interference pin fit by using the "ClawMaster" assembly and disassembly tool for all Rexnord elevator chains. Use of this tool eliminates pin grinding or the heating of side bars which destroys the fatigue strength of the chain and can result in premature chain failure. This rugged device incorporates an improved arm design that helps reduce breakage and increases power by 2 1/2 times by using a hydraulic ram and hand pump to deliver the extremely high forces necessary to drive chain pins in the field or in the shop. The holes in the arms aid in handling the tool by providing key anchor points for crane lifting or manual handling. Holes also aid in an approximate 10% reduction in weight. This tool can be used for efficiency in both chain assembly and disassembly. Request bulletin No. 5016 for more details.

## Super Capacity Buckets

Over 80 years of elevator design gives us practical application experience that we have used to help design our buckets. Rexnord Super Capacity Style buckets are designed to elevate and properly discharge a wide range of bulk material. Buckets are fabricated from 7 gauge steel plate and the use of deep continuous welds to assure high strengths for severe service applications. Other thicknesses are available upon request. To meet your specific needs, buckets are available with AR wear lips, and non stick liners if needed. Super Capacity buckets are continuously mounted and end hung on two strands of chain.



## Boot Sections

The Rexnord Super Capacity elevator boot section is fabricated from 1/4" steel plate with a detail on the heavy corner angles that are jig welded to assure that the elevator is given a square and dimensionally true beginning assembly point. Removable front and rear clean out panels, along with large double-hinged access doors make inspections and clean-outs simple. The Rexnord gravity take up with a built in counter weight are standard equipment, as is the take up hoist beam for maintenance use and a boot bottom floor plate in boot to facilitate clean out.

## Segmental Sprockets

Segmental sprockets are easily installed, simplifying replacement without disassembling body, chain or shaft assemblies. Heavy-duty steel rim sprockets are factory fastened to the body using Huck fasteners, offering positive rim/ fastener retention without concern of loosening during operation. Sprocket rim segments are made to wear-resistant specifications, deep carburized and induction hardened to 60 RC. Sprocket segments reversible for double life. Head shaft assemblies are furnished with solid bodies utilizing keyless locking ring assemblies as standard in high performance elevators. Keyless locking rings insure positive wheel retention to shaft without stress points associated with keyed shafts.





### Segmental Traction Wheels

All the heat treat and hardening expertise that goes into our chain is applied to Rexnord's traction wheels and sprockets. A matched set of traction wheels assures a smooth system operation. Plus, Rexnord's unique ability to achieve deep and hard case depths provides the longest wearing components available. Don't settle for a substandard drive component when you purchase a premium elevator chain.



### Ni-Hard Bearings

Cast Ni-Hard take up bearings and Ni-Hard sleeves require no lubrication and no periodic maintenance, thus ensuring a long service life and less maintenance headaches.

### Rexnord® Planetgear® Shaft Mount Planetary (SMP)

The Rexnord Shaft Mounted Planetgear (SMP) Reducer Series is a perfect alternative to traditional helical shaft mounted reducers.



The new SMP Series incorporates all the standard Planetgear features you've come to expect for your heavy-duty applications. The self-aligning gear train in contact per reduction to equally share the load, and is directly mounted on the driven shaft, eliminating the need for a low speed coupling, chain drive or reducer mounting base.

Our new Hercules reducer expands our offering to applications requiring output torque up to 2.9 million lb-in.

**Only Rexnord can offer a complete system and be able to provide one spot sourcing.... others may purchase a chain, a drive, bearings and put a unit together...only Rexnord has it name on the offer, the drawings, the assembled unit, including the critical components like the chain and the drive and be able to provide quality service after the sale.**

# World Class Customer Service

For more than 100 years, the dedicated people of Rexnord have delivered excellence in quality and service to our customers around the globe. Rexnord is a trusted name when it comes to providing skillfully engineered products that improve productivity and efficiency for industrial applications worldwide. We are committed to exceeding customer expectations in every area of our business: product design, application engineering, operations, and customer service.

Because of our customer focus, we are able to thoroughly understand the needs of your business and have the resources available to work closely with you to reduce maintenance costs, eliminate redundant inventories and prevent equipment down time.

Rexnord represents the most comprehensive portfolio of power transmission and conveying components in the world with the brands you know and trust.

## WORLDWIDE CUSTOMER SERVICE

### AUSTRALIA

Rexnord Australia Pty. Ltd.  
Picton, New South Wales  
Phone: 61-2-4677-3811  
Fax: 61-2-4677-3812

Falk-Rexnord Australia Pty Ltd  
Broadmeadow New South Wales  
Phone: 61-2-4962-8000  
Fax: 61-2-4962-8001

### BRAZIL

Rexnord Correntes Ltda.  
Sao Leopoldo - RS  
Phone: 55-51-579-8022  
Fax: 55-51-579-8029

### CANADA

Rexnord Canada Ltd.  
Scarborough, Ontario  
Phone: 1-416-297-6868  
Fax: 1-416-297-6873

### CHINA

Rexnord China  
Shanghai, China  
Phone: 86-21-62701942  
Fax: 86-21-62701943

### EUROPE

Rexnord NV/SA  
Mechelen, Belgium  
Phone: 32-15-443881  
Fax: 32-15-443860

### LATIN AMERICA

Rexnord International  
Milwaukee, Wisconsin  
Phone: 1-414-643-2366  
Fax: 1-414-643-3222  
E-mail: international1@rexnord.com

### MEXICO

Mecanica Falk S.A. de C.V.  
Phone: 52-55-9140-3500  
Fax: 52-55-9140-3550

### SINGAPORE

Rexnord International, Inc.  
Singapore City, Singapore  
Phone: 65-6338-5622  
Fax: 65-6338-5422

### UNITED STATES

Customer Service  
Phone: 866-Rexnord  
(866-739-6673)  
E-mail: rexnordcs(state)@rexnord.com  
Example: rexnordcsohio@rexnord.com

### ALL COUNTRIES NOT LISTED ABOVE

Rexnord International  
Milwaukee, Wisconsin  
Phone: 1-414-643-2366  
Fax: 1-414-643-3222  
E-mail: international2@rexnord.com

